



# *Mechanical security seals*



PROTECTION - CONTROL - IDENTIFICATION - TRACKING - RFID SOLUTIONS

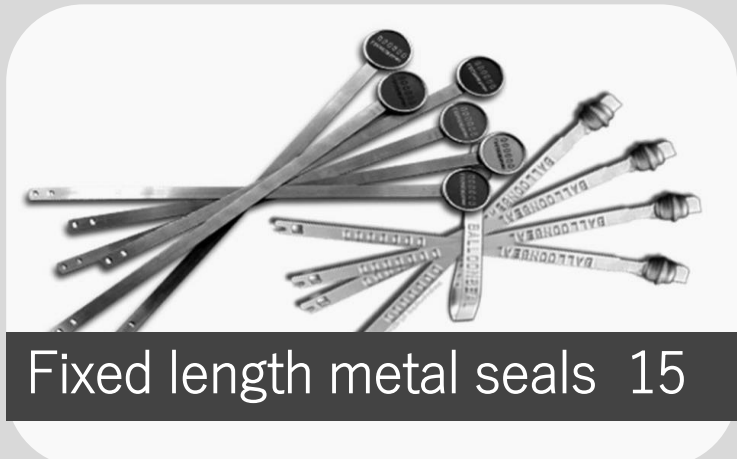


LeghornGroup vision and values 04



High security seals for container 06

Cable seals 10



Fixed length metal seals 15

Fixed length plastic seals 17



Adjustable plastic seals 19



Pull-tight plastic seals  
with metal insert

27

Wire seals

32



Metal clip seals

37



Other plastic seals

41



Sealing wires

47

# LeghornGroup vision and values

**LeghornGroup srl** established 1978 is a **manufacturer** and supplier of **security seals** and security products for protecting assets, specializing in applications for shipping and logistics.

Thanks to a wealth of experience and it's in house design and production capabilities, LeghornGroup can provide a decisive and comprehensive response to every security related issue.

It's varied range of products, systems and bespoke solutions has allowed LeghornGroup to establish itself as one of the European leaders of this sector.

With sales offices in Europe, USA and India with production plants for plastic molding and metal parts, LeghornGroup has complete control over its range of products and an extensive worldwide client support network.

Furthermore, the company's computer and electronics division within the group have been working for over ten years to enhance LeghornGroup's security products with the most innovative technical features. Their aim: to protect our assets, data and information and make a better future for all of us.

LeghornGroup is committed to protecting goods and assets from tampering or pilferage, by using the most suitable solution (be it mechanical, electronic or a combination) providing not only maximum security but guaranteeing economic efficiency.



## ***President's statement***

*"The most important contribution that a company can offer to social progress is to manage its activities in the most efficient possible way.*

*This means never losing sight of the values that are the foundation of any civil society. LeghornGroup has always been and continues to be engaged in activities that we believe are inseparable from our daily operations in the security sector, such as educational programs, donations and social commitment. "*

Luciano Grapsa - President of LeghornGroup srl

# Field of action

LeghornGroup's main aim is to operate efficiently, lucratively and responsibly in the security and anti tampering sector.

LeghornGroup's desire to be a focus point within this sector is supported by its strong commitment to manufacture and develop innovative and highly effective solutions.



**Protection.** We can protect your goods and assets with security seals and various products for tamper protection. The company can create bespoke, technical solutions to meet client's requirements.



**Control.** We ensure goods and people can be monitored using security products and integrated complete hardware and software solutions that allow the operator to monitor and intervene in real time, even remotely.



**Identification.** LeghornGroup's understanding of authentication along with their innovative technical products and solutions allow users to uniquely and securely identify, goods, vehicles, containers, animals and people.



**Tracking.** LeghornGroup's real time GPS tracking devices allow users to monitor location, status and movements of vehicles and people.



**RFID Solutions.** LeghornGroup also manufactures solutions for product authenticity; automatic identification systems using RFID to aid traceability of objects, animals and people, offering new and efficient operations to speed up the supply chain;

LeghornGroup aim is to be strongly customer focused, and provide a specific solution that completely meets their needs, which may differ from one client to the next. By working closely alongside clients, they are able to experience firsthand their problem and resolve it together.

On a daily basis the company not only works to broaden their understanding of some of the many issues related to illegal and criminal activities, but also the means to counteract them. LeghornGroup keeps a detailed data base on their various products in order to assist the police force with their fight against crime.

Furthermore, LeghornGroup provides an active online service to anybody who might need advice or is looking for a specific product within this sector.



# NEPTUNESEAL

Bolt lock seal for container ISO 17712:2013

## DESCRIPTION:

Neptuneseal designed and manufactured by LeghornGroup is a high-security bolt lock seal certified according to the requirements of the technical specification of the ISO 17712:2013 standard. The metal pin has an anti-spin construction to defeat high speed spin attempts at tampering. The clamping of the seal is metal-on-metal, i.e. metal pin vs metal bolt which is plastic coated. Therefore the seal keeps close despite damages that could be evident on the plastic part by spinning.

Any tampering attempt will give evidence of irreparable damage onto the bolt lock seal applied on the container.

## PRINTING AND NUMBERING:

- Laser printing
- Sequential numbering up to 15 figures
- Barcode option
- Data Matrix option
- Customization up to 20 characters on one line
- Logo on request
- For substantial orders it's possible to recreate Company logo in relief

## MATERIAL:

Plastic parts: polystyrene / ABS

## CERTIFICATES:

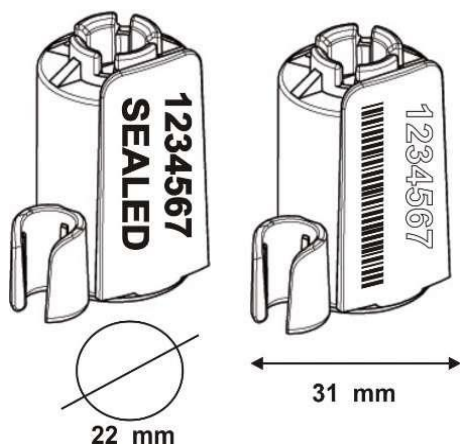
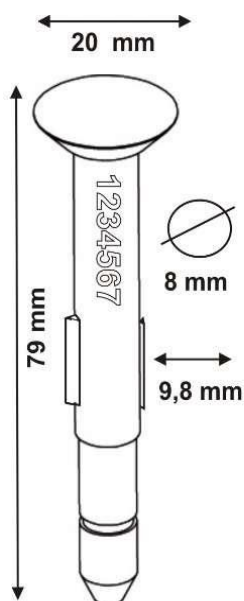
Compliant with ISO 17712:2013 HSS (high security seal)  
ISO 17025 Accredited Lab

## AVAILABLE COLOURS:

Orange - Red - Yellow - Green - White - Light blue - Grey - Brown - Pink

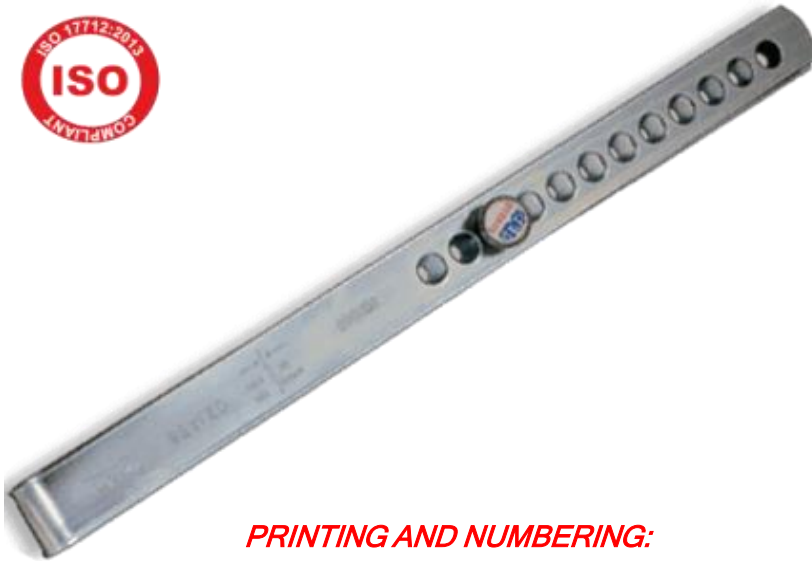
## PACKAGING:

- 250 seals per carton
- Carton size: 39x19x16cm
- Carton weight: 13,3 kg



# FORKSEAL C

Barrier seal for container ISO 17712:2013

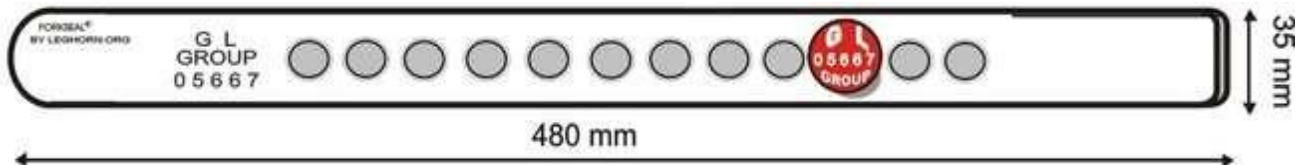


## DESCRIPTION:

Forkseal® designed and manufactured by LeghornGroup is a barrier seal compliant with ISO 17712:2013. It is used to protect high value goods during container transports. Both the metal bar and the seal have the same numbering and customization. Forkseal protects container doors, guaranteeing 100% security against unwanted intrusion. It is recommended to lock it as tightly as possible, according to the sequence of holes on the metal bar.

## PRINTING AND NUMBERING:

- Sequenced numbering up to 6 digits
- Three progressive numbering: on the bar, on the pin body and on the pin head
- Alphanumeric numbering possible
- Customization up to 20 characters
- Company logo available upon request
- Company logo and numbering can also be engraved on metal bar



## MATERIAL:

Galvanized steel

## AVAILABLE COLOURS OF LOCKING PIN

Red - Yellow - Blue - Orange - Green - Black - White  
- Light Blue

## CERTIFICATIONS:

Compliant with ISO 17712:2013  
HSS (high security seal)  
ISO 17025 Accredited Lab

## PACKAGING:

- 25 seals per carton bagged separately
- Carton size: 50x20x15cm
- Carton weight: 15 kg

# NEW FORKSEAL

Barrier seal for container ISO 17712:2013



## DESCRIPTION:

New Forkseal® is compliant with ISO 17712:2013 and is the result LeghornGroup's many years experience in developing anti-loss, theft and tampering systems for cargo transportation. It is composed of a metal bar and a high security bolt lock seal.

## PRINTING AND NUMBERING:

- Company logo and numbering can be engraved on metal bar and on bolt lock seal
- Sequenced numbering up to 6 digits
- Three progressive numbering: on the bar, on the pin head and on the barrel.
- Alphanumeric numbering possible
- Customization up to 20 characters
- Company logo available upon request
- Barcode possibility

## MATERIAL:

Galvanized steel

## AVAILABLE COLOURS OF BOLT LOCK (NEPTUNESEAL)

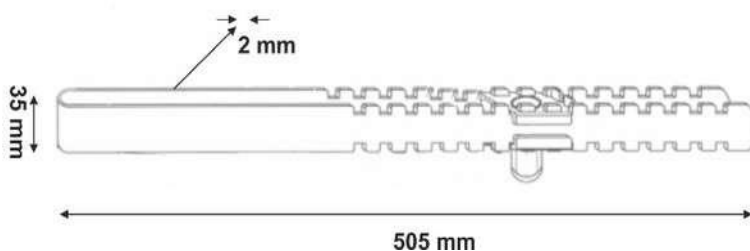
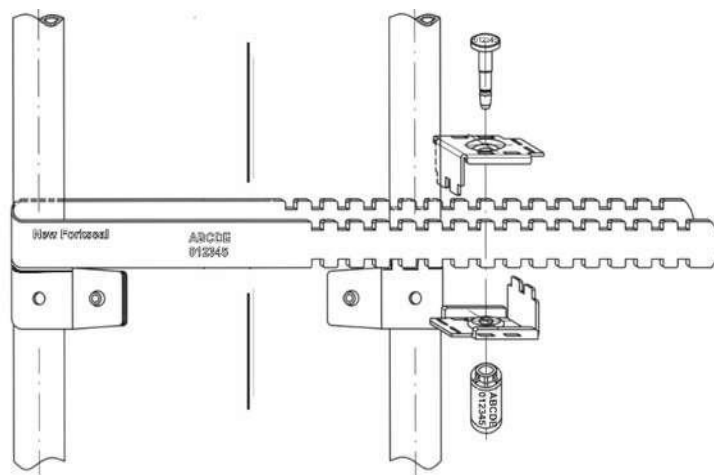
Red - Yellow - Green - White - Orange  
Light blue - Grey - Brown - Pink.

## CERTIFICATES:

Compliant with ISO 17712:2013  
HSS (high security seal)  
ISO 17025 Accredited Lab

## PACKAGING:

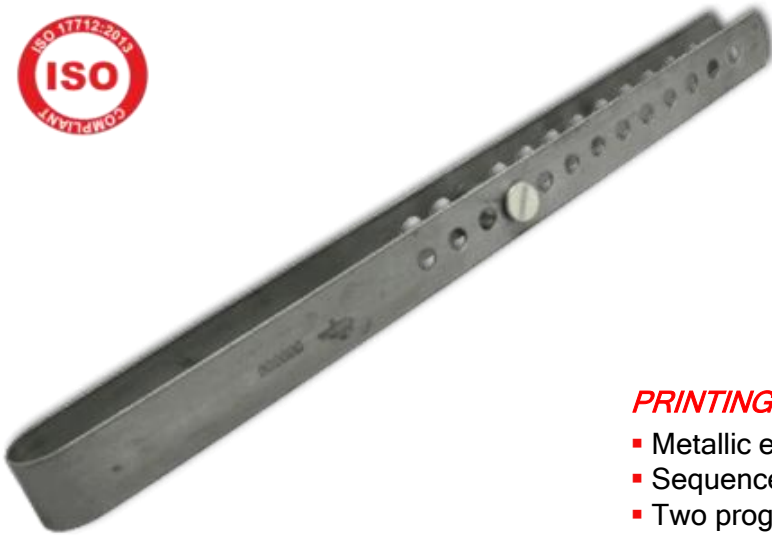
- 25 seals per carton bagged separately
- Carton size: 50x20x15cm
- Carton weight: 15 kg





# BLOCK BAR

Barrier seal for container ISO 17712:2013



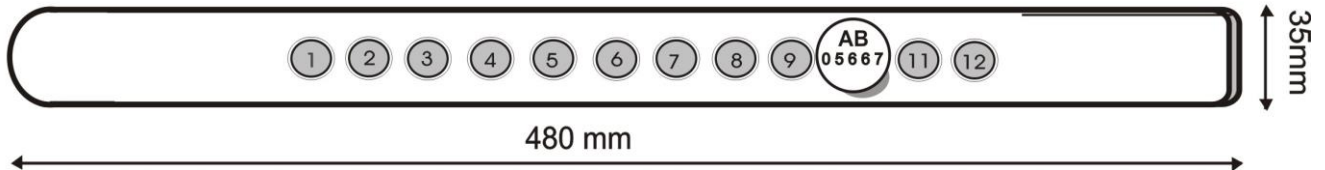
## DESCRIPTION:

Block bar seal® is compliant with ISO 17712:2013 and is the most economic barrier seal to block the central container's bars.

Progressive numbering only on the closure pin and on the bar.

## PRINTING AND NUMBERING:

- Metallic engraved
- Sequenced numbering up to 6 digits
- Two progressive numbering: on the bar and on the pin head
- Customization up to 10 characters on one line
- Simple company logo available upon request only on the bar



## MATERIAL:

Galvanized steel

## COLOURS:

Steel galvanised

## CERTIFICATIONS:

Compliant with ISO 17712:2013

HSS (high security seal)

ISO 17025 Accredited Lab

## PACKAGING:

- Carton with 25 seals
- Carton size: 50x20x15 cm
- Carton weight: 13,5 kg

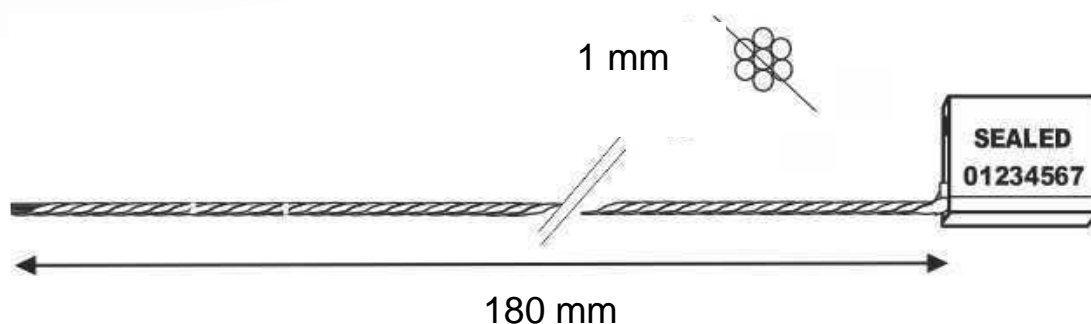
# CABLESEAL 1x180

Cable seal with aluminium body

## DESCRIPTION:

Cableseals 1x180mm are particularly suitable to control counter meters of electricity, water and gas thanks to the 1mm cable diameter. The body is completely made of anodised aluminium (\*). The locking mechanism which is easy to pull-through, will lock upon insertion and prevent pull-back. There will be no way to open the seal unless by breaking it with good shears.

(\*) Anodizing is a non-spontaneous electrochemical process by which a protective oxide layer forms on the surface of the treated metal and protects it from corrosion.



## MATERIAL:

Body: Coloured aluminium (anodized)  
Steel cable, diameter 1 mm  
On demand: stainless steel cable

## COLOURS:

Standard colours are:  
RED - GREEN - LIGHT BLUE - GOLD

## PACKAGING:

- Quantity per package: 1000 pieces
- Carton size: 30x28x15 cm
- Carton weight: 8 kg

## DIMENSIONS:

Cable seal (diameter x length): 1x180 mm  
Different cable lengths are available on demand.

## PRINTING AND NUMBERING:

- Laser etching printing
- 15 digits sequential numbering
- Barcode and Data matrix option
- Up to 20 alphanumeric characters per line
- Company logo

# CABLESEAL 1.5x180

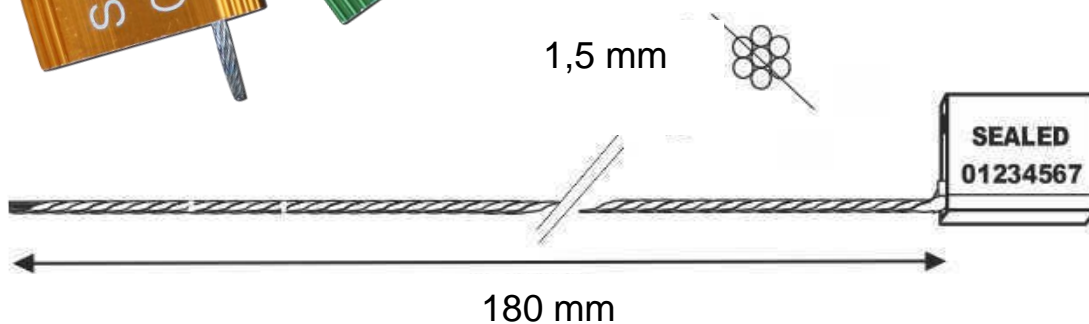
Cable seal with aluminium body



## DESCRIPTION:

Cableseal with diameter 1,5 mm is a versatile metal security seal that can be used for different applications. It is particularly suitable to control counter meters of electricity, water and gas. The body is completely made in anodised aluminium (\*). Once inserted the opposite end of the cable into the hole and pulled it to the maximum possible extent, there will be no way to open the seal unless by breaking it with good shears.

(\*) Anodizing is a non-spontaneous electrochemical process by which a protective oxide layer forms on the surface of the treated metal and protects it from corrosion.



## MATERIAL:

Body: Coloured aluminium (anodized)  
Steel cable, diameter 1,5 mm  
On demand: stainless steel cable

## COLOURS:

Standard colours are:  
RED - GREEN - LIGHT BLUE - GOLD

## PACKAGING:

- Quantity per package: 500 pieces
- Carton size: 30x28x15 cm
- Carton weight: 8,6 kg

## DIMENSIONS:

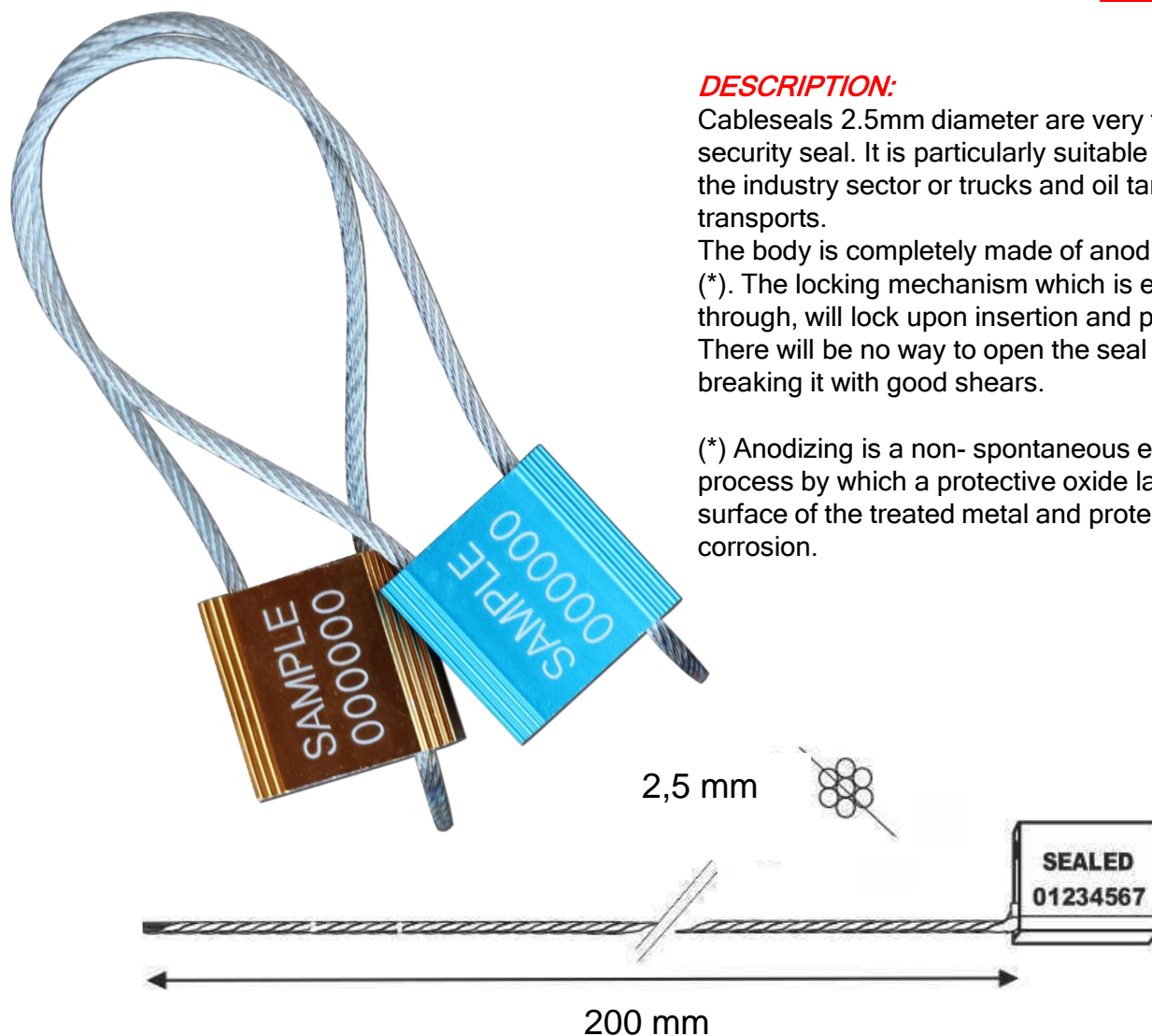
Cable seal (diameter x length): 1,5x180 mm  
Different cable lengths are available on demand.

## PRINTING AND NUMBERING:

- Laser etching printing
- 15 digits sequential numbering
- Barcode and Data matrix option
- Up to 20 alphanumeric characters per line
- Company logo

# CABLESEAL 2.5x200

Cable seal with aluminium body



## **DESCRIPTION:**

Cableseals 2.5mm diameter are very flexible metal security seal. It is particularly suitable to lock valves in the industry sector or trucks and oil tankers in transports.

The body is completely made of anodised aluminium (\*). The locking mechanism which is easy to pull-through, will lock upon insertion and prevent pull-back. There will be no way to open the seal unless by breaking it with good shears.

(\*) Anodizing is a non-spontaneous electrochemical process by which a protective oxide layer forms on the surface of the treated metal and protects it from corrosion.

## **MATERIAL:**

Body: Coloured aluminium (anodized)  
Steel cable, diameter 2,5 mm  
On demand: stainless steel cable

## **COLOURS:**

Standard colours are:  
RED - GREEN - LIGHT BLUE - GOLD

## **PACKAGING:**

- Quantity per package: 500 pieces
- Carton size: 30x28x15 cm
- Carton weight: 9 kg

## **DIMENSIONS:**

Cable seal (diameter x length): 2,5x200 mm  
Different cable lengths are available on demand.

## **PRINTING AND NUMBERING:**

- Laser etching printing
- 15 digits sequential numbering
- Barcode and Data matrix option
- Up to 20 alphanumeric characters per line
- Company logo

# CABLESEAL 3.5x250

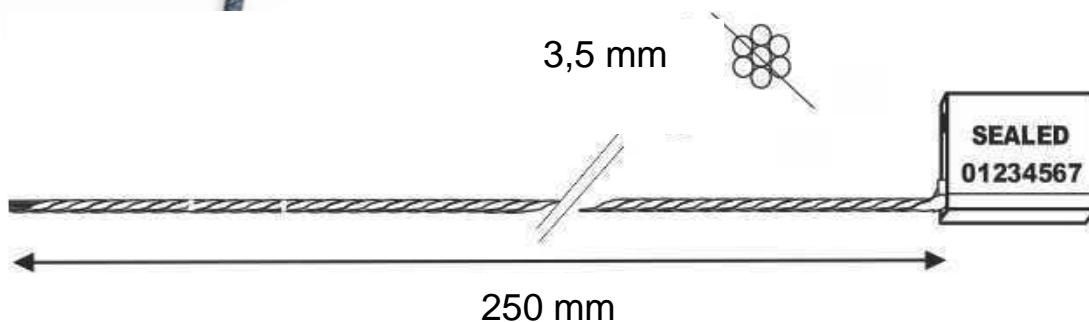
Cable seal with aluminium body ISO 17712:2013



## DESCRIPTION:

Cableseal 3,5x250mm is a high security cable lock seal compliant with ISO 17712:2013. It is suitable to meet security requirements in container shipping or rail transport. The body is completely made of anodised aluminium (\*). The locking mechanism which is easy to pull-through, will lock upon insertion and prevent pull-back. There will be no way to open the seal unless by breaking it with good shears.

(\* Anodizing is a non-spontaneous electrochemical process by which a protective oxide layer forms on the surface of the treated metal and protects it from corrosion.



## MATERIAL:

Body: Coloured aluminium (anodized)  
Steel cable, diameter 3,5 mm  
On demand: stainless steel cable

## COLOURS:

Standard colours are:  
RED - GREEN - LIGHT BLUE - GOLD

## PACKAGING:

- Quantity per package: 500 pieces
- Carton size: 39x29x19 cm
- Carton weight: 19,2 kg

## DIMENSIONS:

Cable seal (diameter x length): 3,5x250 mm  
Different cable lengths are available on demand.

## PRINTING AND NUMBERING:

- Laser etching printing
- 15 digits sequential numbering
- Barcode and Data matrix option
- Up to 20 alphanumeric characters per line
- Company logo

# CABLESEAL 5x250

Cable seal with aluminium body ISO 17712:2013

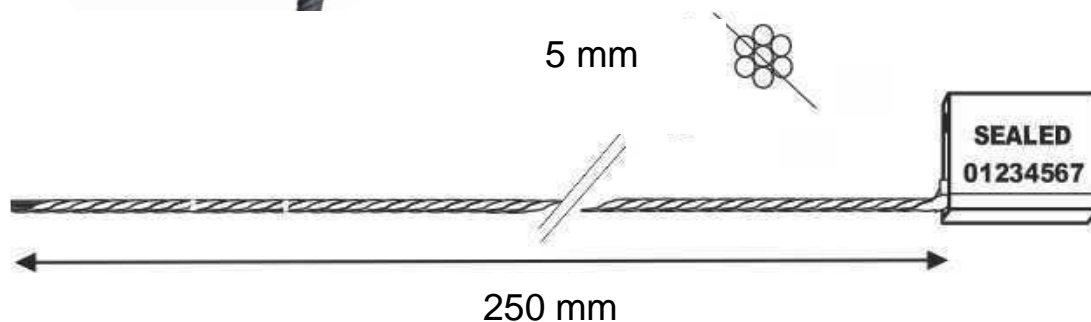


## DESCRIPTION:

Cableseal 5x250mm is a high security cable lock seal compliant with ISO 17712:2013. It is suitable to meet security requirements in container shipping or rail transport.

The body is completely made of anodised aluminium (\*). The locking mechanism which is easy to pull-through, will lock upon insertion and prevent pull-back. There will be no way to open the seal unless by breaking it with good shears.

(\*) Anodizing is a non-spontaneous electrochemical process by which a protective oxide layer forms on the surface of the treated metal and protects it from corrosion.



## MATERIAL:

Body: Coloured aluminium (anodized)  
Steel cable, diameter 5 mm  
On demand: stainless steel cable

## COLOURS:

Standard colours are:  
RED - GREEN - LIGHT BLUE - GOLD

## PACKAGING:

- Quantity per package: 250 pieces
- Carton size: 39x29x19 cm
- Carton weight: 16,2 kg

## DIMENSIONS:

Cable seal (diameter x length): 5x250 mm  
Different cable lengths are available on demand.

## PRINTING AND NUMBERING:

- Laser etching printing
- 15 digits sequential numbering
- Barcode and Data matrix option
- Up to 20 alphanumeric characters per line
- Company logo

# BALLOONSEAL

## Metal strap seal



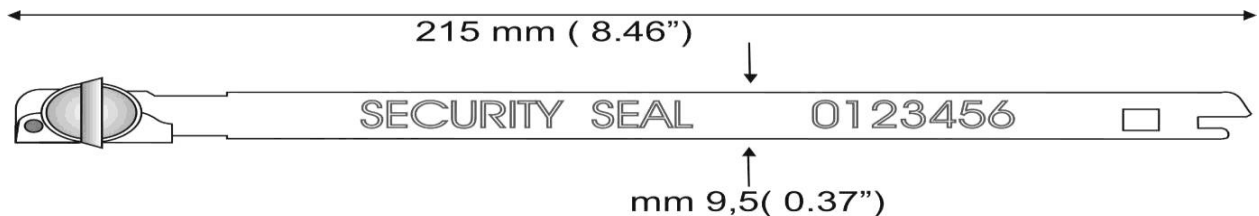
### **DESCRIPTION:**

Balloonseal is a fixed length metal seal impossible to remove without leaving evidence of tampering.

For a correct application, insert the metal strap fully until the locking tooth clicks twice into place. After the seal has been blocked, it's impossible to reopen it without breaking it and leaving any evidence of tampering.

### **SIZES:**

- Width : 9,5 mm
- Length : 215 mm



### **PRINTING AND NUMBERING:**

- Relief or laser printing
- Sequenced numbering up to 7 digits
- Customization up to 16 characters on one line
- The customisation and numbers are printed in relief directly on the metal strap

### **MATERIAL:**

Plated aluminium

### **PACKAGING:**

- Carton with 1000 seals per carton divided into bags of 100 sequential numbered seals
- Carton size: 39.5x29x20 cm (15.55"x11.41"x7.9")
- Carton weight: 8,5 kg

# STRAPSEAL

## Metal strap seal



### DESCRIPTION:

Strapseal is a flat fixed length metal seals that offers an extreme security and high visibility even from longer distance.

Easy to handle, it is also suitable for truck and trailer tarpaulins and swap-body.

### STANDARD SIZES:

- Width : 7 mm
- Length : 210 mm

### PRINTING AND NUMBERING:

- Hot print printing
- Sequenced numbering up to 6 digits
- Alphanumeric numbering possible
- Customization up to 20 characters
- Company logo available upon request

### MATERIAL:

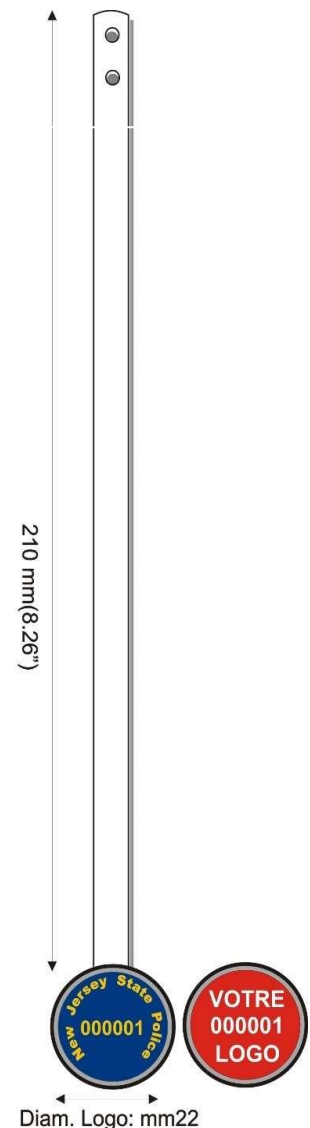
Steel

### AVAILABLE COLOURS OF LOCKING PIN

Red -Yellow - Blue - Orange - Green - Black - White - Light Blue

### PACKAGING:

- 1 carton = 1000 pcs
- Carton size: 29x20x15 cm
- Carton weight: 7 kg







# HORNSEAL

Fixed length plastic seal 7x215mm and 7x260mm



## DESCRIPTION:

Hornseal is a cost-effective fixed length plastic seal. It is manufactured in two different length sizes: 215mm and 260mm. Single click locking action for user-friendly application of seal. It is laser marked with writing and progressive numbering. 100% recyclable seal.

## SIZES:

- Width : 7 mm
- Length : 215mm and 260mm

## PRINTING AND NUMBERING:

- Laser printing
- Sequenced numbering up to 15 digits.
- Customization up to 20 characters on one line
- Small company logo available upon request

## MATERIAL:

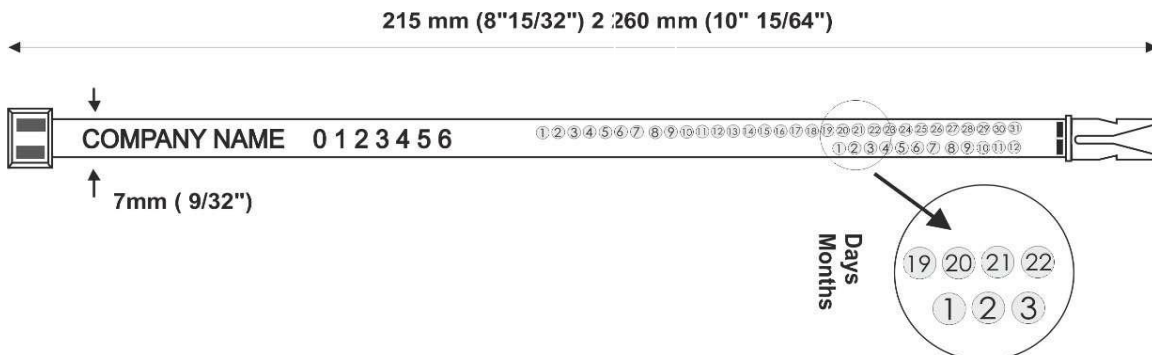
Polypropylene

## AVAILABLE COLOURS:

Red - Yellow - Blue - Green - White - Black - Orange - Light blue - Pink.

## PACKAGING:

- Carton with 1000 seals - strip of 10 pcs
- Carton size: 24x38x19 cm
- Weight: 1,9 kg





# RINGLABELSEAL

Fixed length plastic seal 7x215mm and 7x260mm



## DESCRIPTION:

Ringlabel seal is an economical fixed length plastic seal. It is manufactured in two different length sizes: 215mm and 260mm. Single click locking action for user-friendly application of seal. Ringlabel seal offers an additional printing surface such as customer logo, barcode or QR code thanks to the tag. 100% recyclable seal.

## SIZES:

- Width : 7 mm
- Length : 215mm and 260mm
- Tag : 20x40 mm

## PRINTING AND NUMBERING:

- Laser printing
- Sequenced numbering up to 15 digits
- Barcode and Qr code option
- Customization up to 20 characters on one line
- Company logo available upon request

## MATERIAL:

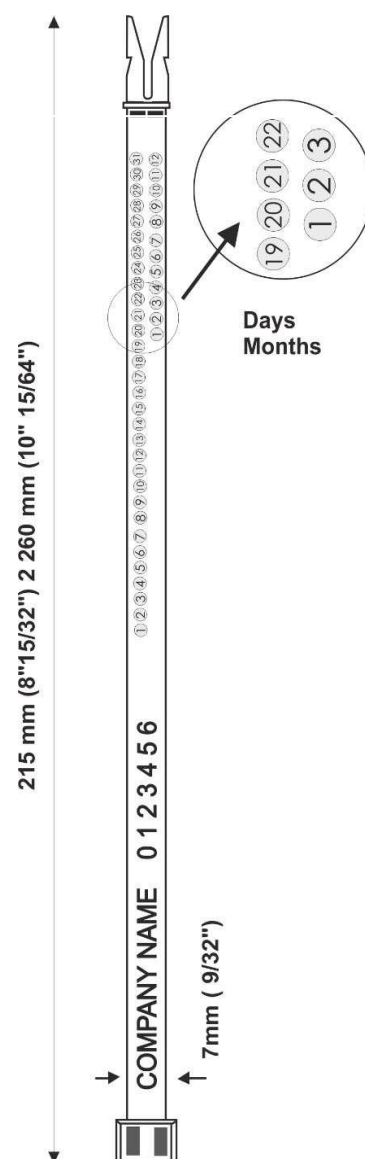
Polypropylene

## AVAILABLE COLOURS:

Red - Yellow - Blue - Green - White - Black - Orange - Light Blue - Pink

## PACKAGING :

- Carton with 1000 seals - strip of 10 pcs
- Carton size: 37x24x23 cm
- Carton weight: 2,5 kg





# TWIGGYSEAL

Adjustable plastic seal 2,2x190mm and 2,2x250mm



## DESCRIPTION:

Twiggy seal by LeghornGroup is an adjustable length plastic seal suitable for those situations in which low tensile strength is required, allowing the seal to get easily broken.

Twiggy seal is manufactured in two different lengths, laser marked and made of 100% recyclable plastic.

## SIZES:

- Diam : 2,2 mm
- Length : 190 mm and 250mm
- Label : 22x45 mm

## PRINTING AND NUMBERING:

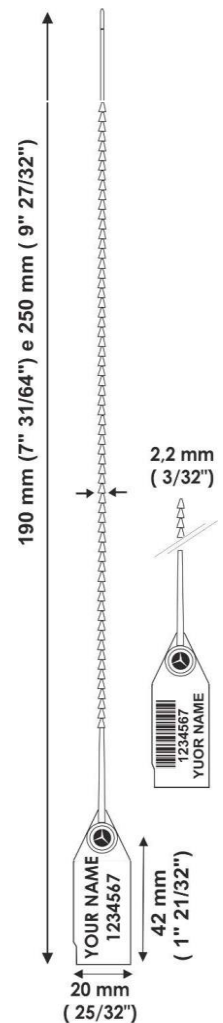
- Laser printing
- Sequenced numbering up to 15 digits
- Barcode and Qr code option
- Customization up to 20 characters on one line
- Company logo available upon request

## AVAILABLE COLOURS:

Red - Yellow - Blue - Green - White - Black - Orange Light blue - Grey - Brown - Pink.

## PACKAGING:

- Carton with 1000 seals strip of 10 pcs
- Carton size: 30x24x22 cm
- Carton weight: 1,4 kg





# HEBESEAL

Adjustable plastic seal 1.8x133mm



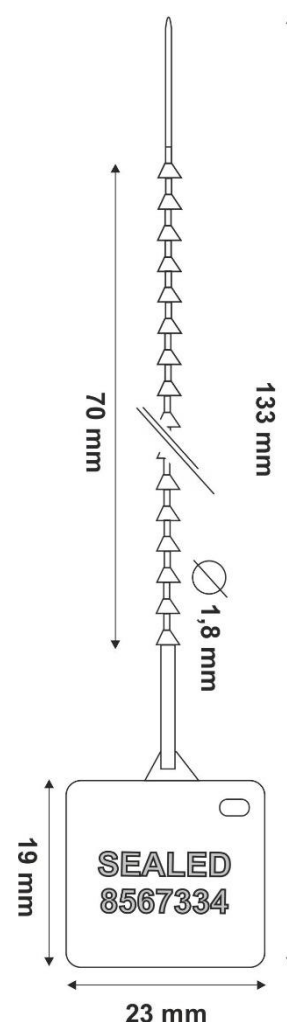
## DESCRIPTION:

Hebeseal by LeghornGroup is an adjustable length plastic seal suitable for those situations in which low tensile strength is required, allowing the seal to get easily broken.

Hebe seal is made of 100% recyclable plastic.

## SIZES:

- Diam : 1.8 mm
- Length : 133mm
- Label : 19x23 mm



## PRINTING AND NUMBERING:

- Laser printing
- Sequenced numbering up to 7 digits
- Customization up to 15 characters on one line
- Company logo available upon request

## AVAILABLE COLOURS:

Red - Yellow - Blue - Green - White - Light blue - Pink.

## PACKAGING:

- Carton with 1000 seals strip of 10 pcs
- Carton size: 25x25x20 cm
- Carton weight: 1,6 kg



# ADJUSTSEAL

Adjustable plastic seal 3,3x315mm and 3,3x425mm



## DESCRIPTION:

Adjustseal by LeghornGroup is designed to provide security applications and reduce losses in a variety of industries. It is a cost effective seal made of 100% recyclable plastic and with a ridged tail. It can be manufactured in two different tail length versions: 315mm or 425mm.

## SIZES:

- Diam : 3,3 mm
- Length : 315 mm and 425mm
- Label size : 22x50 mm

## PRINTING AND NUMBERING:

- Thermal transfer or laser printing
- Sequenced numbering up to 15 digits
- Barcode and Qr code option
- Customization up to 20 characters on one line
- Company logo available upon request
- For special orders, logo printing in relief.

## MATERIAL:

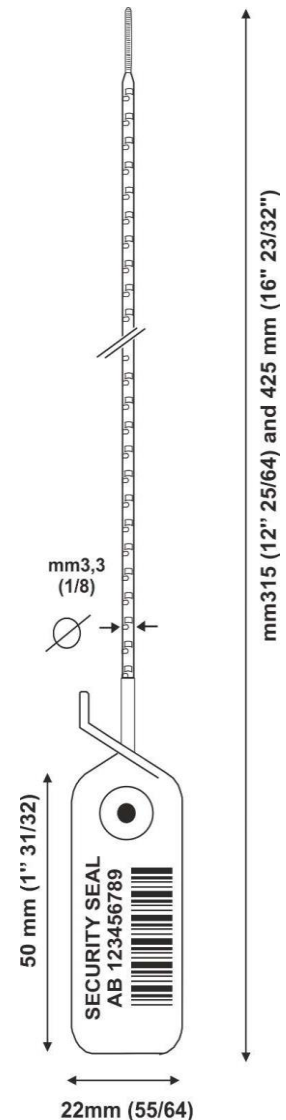
Copolymer polypropylene

## AVAILABLE COLOURS:

Red - Yellow - Blue - Green - White - Black - Orange Light blue – Pink  
- Violet

## PACKAGING:

- Carton with 1.000 seals- strip of 10 pcs
- Carton size: 56x33x19 cm
- Carton weight: 3,5 kg



# BAGSEAL and EASYTIGHT

Adjustable plastic seal 6x294mm and 6x420mm



## DESCRIPTION:

Bagseal and Easytight adjustable plastic seals are fully plastic seals 100% recyclable.

They come as single item, one seal separated from another.

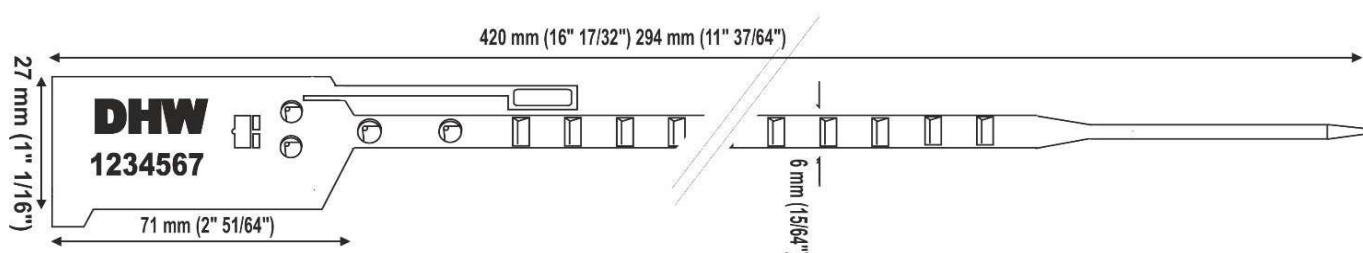
Bagseal and Easytight seals models have a second tail ending into a hole, which can be used to hang additional informative labels.

They can be used to close small bags or sacks used for material sample carriage or in transportation, specifically for tarpaulin trucks or tank trucks.

To guarantee the highest security, it is necessary to pull tight the seal up to its maximum capability.

## SIZE:

- Width: 6 mm
- Length: Bagseal 294 mm; Easytight 420mm



## PRINTING AND NUMBERING:

- Laser printing
- Sequential numbering up to 15 digits
- Barcode and Qr code option
- Up to 20 alphanumeric characters per line
- Company logo
- Special customisation on quantities with logo embossing

## AVAILABLE COLOURS:

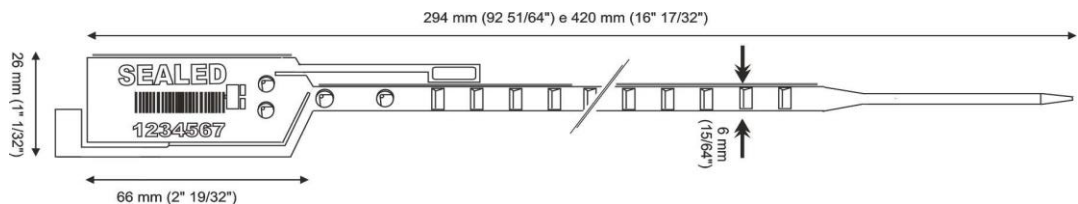
Red - Yellow - Blue - Green - White - Black - Orange - Light blue - Grey - Brown - Pink - Violet.

## PACKAGING:

- Carton with 1.000 pieces - NO STRIP
- Carton size: 56x39x21 cm
- Carton weight: 4 kg
- Available on request in bags of 100 sequentially numbered pieces

# SIMPLESEAL and LONGSEAL

Adjustable plastic seal 6x294mm and 6x420mm with tear-off tag



## DESCRIPTION:

Simpleseal and Longseal are adjustable plastic seals manufactured in strips of 10 pieces and sequentially numbered.

Made of 100% recyclable plastic, they also have tear-off tag to avoid using unsafe cutting tools that might injury operators.

They can be used to secure valuables moving by any road transport mean, including tank trucks and tarpaulin trucks.

Very useful also to seal medium-sized bags.

Sided ring to hang additional information tag.

To guarantee the highest security, it is necessary to pull tight the seals up to its maximum capability.

## SIZE:

- Width: 6 mm
- Length: Simpleseal 294; Longseal 420 mm

## PRINTING AND NUMBERING:

- Laser printing
- 15 digits sequential numbering
- Barcode and Qr code option
- Up to 20 alphanumeric characters per line
- Company logo
- Special customisation on quantities with embossed logo

## MATERIAL:

Copolymer polypropylene

## AVAILABLE COLOURS:

Red - Yellow - Blue - Green - White - Black - Orange - Light blue - Grey - Brown - Lilac - Pink.

## PACKAGING:

- Carton of 1.000 pieces in strip of 10 pcs
- Carton size: 56x46x24 cm
- Carton weight: 5,5 kg



# TITANSEAL

Adjustable plastic seal 5x328mm and 5x424mm

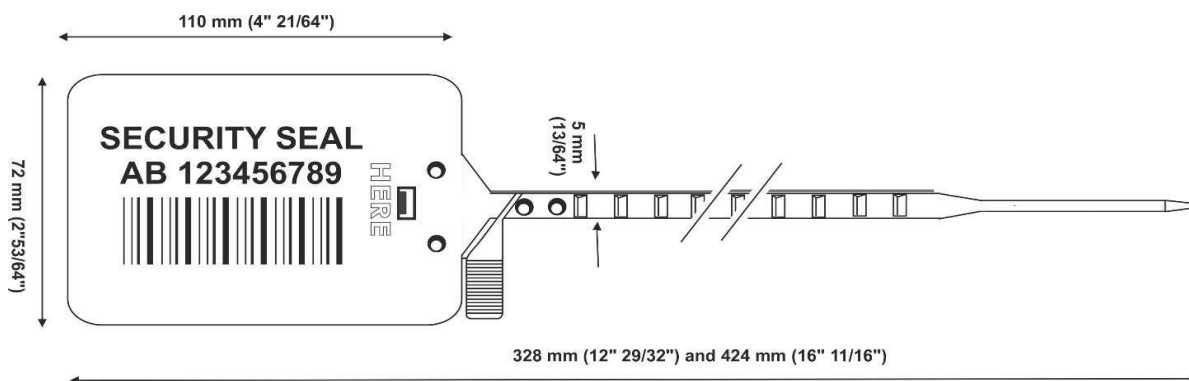


## DESCRIPTION:

Titanseal is an adjustable security seals made of 100% recyclable plastic. It has a large tag for different customization options: barcode, QR code, logo and progressive numbering. It comes in two different lengths of 328mm and 424mm. Tear-off tag possibility or standard version.

## SIZES:

- Width : 5 mm
- Length : 328 mm and 424mm
- Label size : 72x110 mm



## PRINTING AND NUMBERING:

- Thermal or laser printing
- Sequenced numbering up to 15 digits
- Barcode and Qr code option
- Customization up to 20 characters on one line
- Company logo available upon request
- For special orders, logo printing in relief

## AVAILABLE COLOURS:

Red - Yellow - Blue - Green - White - Black - Orange - Light blue - Grey - Brown - Pink.

## PACKAGING:

- Carton with 500 seals
- Carton size: 47x39x12 cm
- Carton weight: 4,5 kg





# HERAKLIS SEAL

Adjustable plastic seal 5x298mm and 5x394mm



## SIZE:

- Width: 5 mm
- Length: 298 mm and 394mm
- Label size: 72x80 mm

## MATERIAL:

Copolymer polypropylene

## PRINTING AND NUMBERING:

- Thermal printing
- Sequential numbering up to 15 digits
- Barcode and Qr code option
- Up to 20 alphanumeric characters per line
- Company logo
- Special customisation on quantities with logo embossing

## AVAILABLE COLOURS:

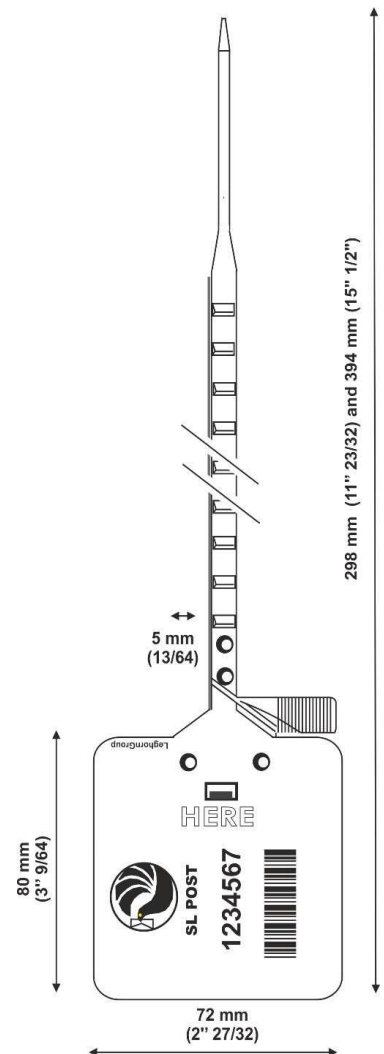
Red - Yellow - Blue - Green - White - Black - Orange Light blue - Grey - Brown - Pink.

## PACKAGING:

- Carton of 500 pieces in strip of 5 pieces each
- Carton size: 56x39x21 cm
- Carton weight: 4.7 kg

## DESCRIPTION:

Heraklis seal is an adjustable plastic seal, fully recyclable. Its large tag allows different information to be marked on the seal. The seal is manufactured in two different lengths of 298mm and 394mm with tear-off tag possibility upon request. Post-office mailbags or sacks can be secured with Heraklis seal.





# ORIONSEAL

Adjustable plastic seal 5x258mm and 5x354mm



## DESCRIPTION:

Orionseal is an adjustable security seals, fully made of recyclable plastic. It is manufactured in two different length tail sizes of 258mm and 354mm. It's tag dimension allows Orionseal to be suitable for different applications.

## SIZES:

- Width : 5 mm
- Length : 258 mm and 354 mm
- Label size : 72x40 mm

## MATERIAL:

Copolymer polypropylene

## PRINTING AND NUMBERING:

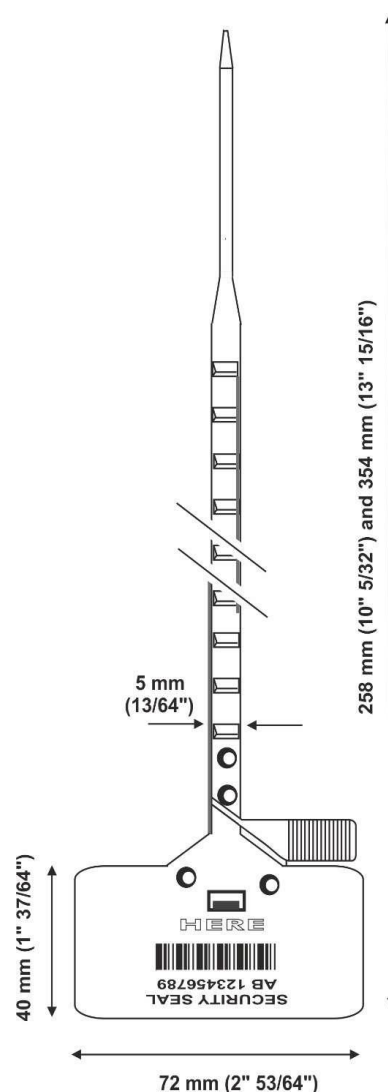
- Thermal printing
- Sequential numbering up to 15 digits
- Barcode and Qr code option
- Customization up to 20 alphanumeric characters per line
- Company logo
- Special customisation on quantities with logo embossing

## AVAILABLE COLOURS:

Red - Yellow - Blue - Green - White - Black - Orange Light blue - Grey - Brown - Pink.

## PACKING:

- Carton with 500 seals
- Carton size: 56x39x21 cm
- Carton weight: 3,5 kg



# FRISSOSEAL 2x315

Pull-tight plastic seal with double numbering



## DESCRIPTION:

Frissoseal is a pull-tight plastic seals with metal insert. It has a tear-off tag receipt which is very useful for double checking operation and provide a higher level of security. Customization will be the same on both tag and tear-off tag receipt.

## Size:

- Diameter : 2 mm
- Length : 315 mm

## PRINTING AND NUMBERING:

- Thermal printing
- Sequenced numbering up to 15 digits.
- Customization up to 20 characters on one line
- Company logo available upon request
- For special orders, logo printing in relief

## MATERIAL:

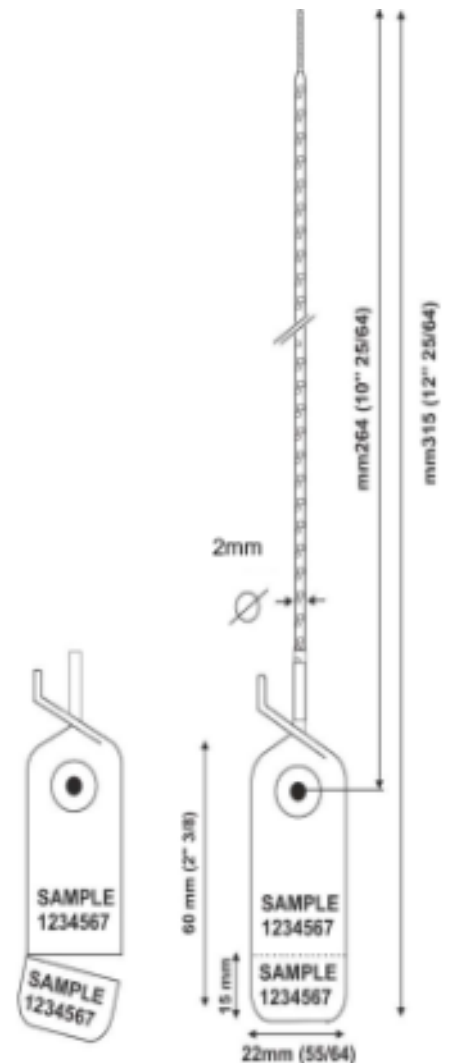
Copolymer polypropylene

## AVAILABLE COLOURS:

Red - Yellow - Blue - Green - White - Black - Orange  
Light blue - Grey - Brown - Pink

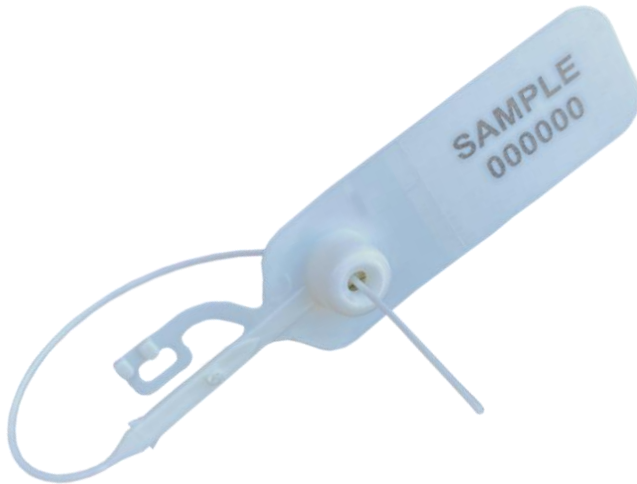
## PACKAGING:

- Carton with 1000 seals - strips of 10 pieces
- Carton size: 56x33x19 cm
- Carton weight: 3.5 kg



# JUPITERSEAL 1.3mm

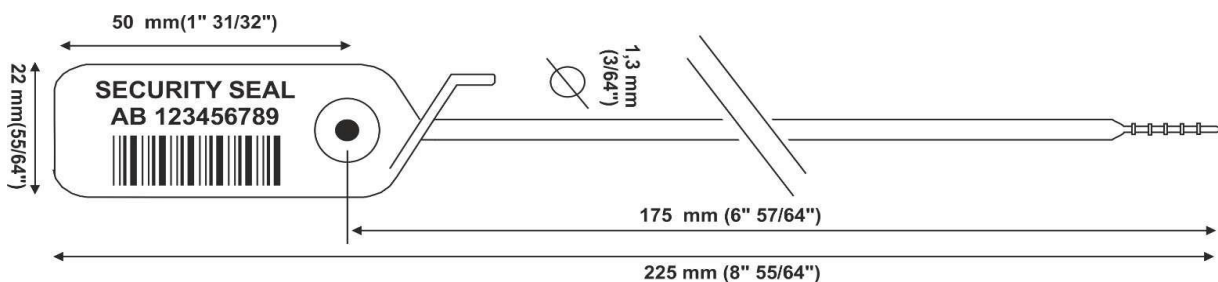
Pull-tight plastic seal with metal inserted locking mechanism



## DESCRIPTION:

Jupiterseal 1,3mm diameter is a pull-tight plastic seal with stainless steel spring locking mechanism that enhances security once applied. Tear-off tag may be added upon request on the standard version.

Its small 1.3mm strap diameter is suitable for applications with small sealing apertures such as meters, fire extinguisher etc.



## SIZES:

- Diam : 1,3 mm
- Length : 225 mm
- Label size : 22x50 mm

## AVAILABLE COLOURS:

Red - Yellow - Blue - Green - White - Black - Orange - Light blue - Grey - Brown - Pink - Violet

## PRINTING AND NUMBERING:

- Thermal or laser printing
- Sequenced numbering up to 15 digits
- Barcode and Qr code option
- Customization up to 20 characters on one line
- Company logo available upon request
- For special orders, logo printing in relief

## PACKAGING:

- Carton with 1.000 seals- strip of 10 pcs
- Carton size: 56x33x19 cm
- Carton weight: 2 kg

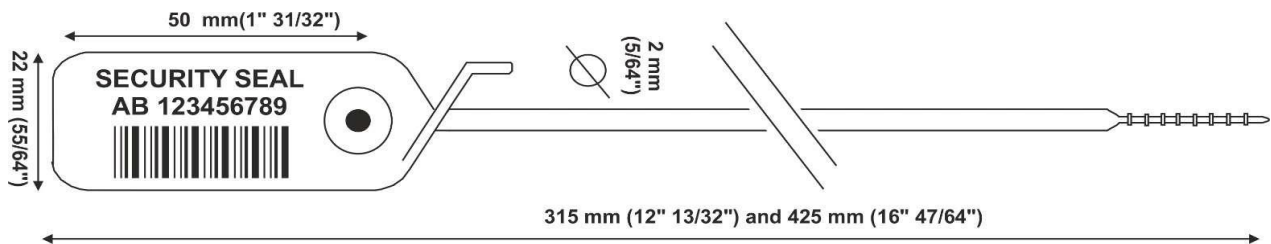
# JUPITERSEAL 2mm

Pull-tight plastic seal with metal inserted locking mechanism



## DESCRIPTION:

Jupiterseal 2mm diameter is a pull-tight plastic seal with stainless steel spring locking mechanism and available in two different length sizes: 315mm or 425mm. Tear-off tag may be added upon request on the standard version.



## SIZES:

- Diam : 2 mm
- Length : 315mm and 425 mm
- Label size : 22x50 mm

## AVAILABLE COLOURS:

Red - Yellow - Blue - Green - White - Black - Orange - Light blue - Grey - Brown - Pink - Violet

## PRINTING AND NUMBERING:

- Thermal or laser printing
- Sequenced numbering up to 15 digits
- Barcode and Qr code option
- Customization up to 20 characters on one line
- Company logo available upon request
- For special orders, logo printing in relief

## PACKAGING:

- Carton with 1.000 seals- strip of 10 pcs
- Carton size: 56x34x25 cm
- Carton weight: 3,5 kg

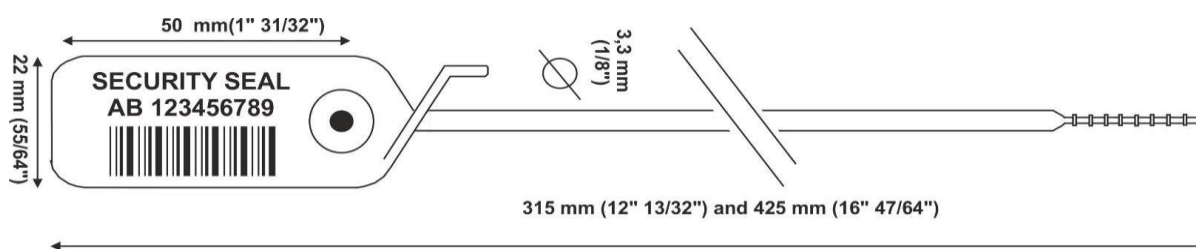
# JUPITERSEAL 3.3mm

Pull-tight plastic seal with metal inserted locking mechanism



## DESCRIPTION:

Jupiterseal with 3.3mm diameter is a pull-tight plastic seals with metal inserted locking mechanism that is manufactured both with tail length 315mm and 425mm. Tear-off tag may be added upon request on the standard version. Self-locking seal - no tools required - it is suitable for different applications.



## SIZES:

- Diam : 3,3 mm
- Length : 315mm and 425mm
- Label size : 22x50 mm

## PRINTING AND NUMBERING:

- Thermal or laser printing
- Sequenced numbering up to 15 digits
- Barcode and Qr code option
- Customization up to 20 characters on one line
- Company logo available upon request
- For special orders, logo printing in relief

## AVAILABLE COLOURS:

Red - Yellow - Blue - Green - White - Black - Orange - Light blue - Grey - Brown - Pink - Violet

## PACKAGING:

- Carton with 1.000 seals- strip of 10 pcs
- Carton size: 56x34x20 cm
- Carton weight: 4 kg

# HECTORSEAL 7.5mm

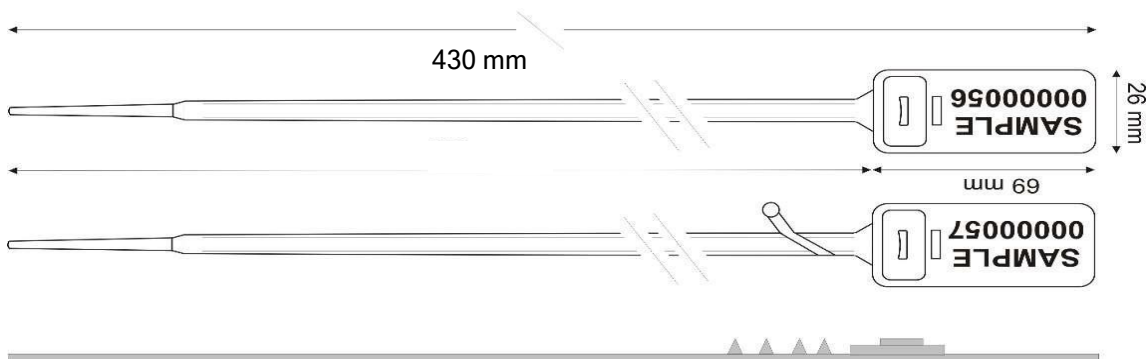
Pull-tight plastic seal with metal inserted locking mechanism



## DESCRIPTION:

Hectorseal is a pull-tight plastic seal with metal insert suitable for applications requiring a higher level of security. Tear-off tag version available upon request. Thanks to its high breaking strength, it is suitable to be used in different application such as maritime transport, road transport, cargo and postal companies, rail freight, supermarkets etc.

It is available in two different length size: 430mm and 510mm.



## SIZE:

- Width: 7,5 mm
- Length: 430 mm and 510mm

## PRINTING AND NUMBERING:

- Laser printing
- 15 digits sequential numbering
- Barcode and Qr code option
- Customization up to 20 alphanumeric characters per line
- Company logo
- Special customization on quantities with embossed logo

## AVAILABLE COLOURS:

- Red - Yellow - Green - White - Black - Orange - Light blue

## PACKAGING:

- Carton of 1.000 pcs.
- Carton size: 44x40x24 cm
- Carton weight: 7,5 kg

# ANCHORCLICK

## Wire security seal



### DESCRIPTION:

Anchorclick is a low-profile wire security seals made either in polycarbonate or polystyrene. It is suitable to be used with different sealing wire and doesn't require any crimping pliers to be correctly closed.

### HOW TO USE:

Insert the wire in the holes on the seals' body  
Push the "anchor" part in the hole.  
Press with the fingers till the seal is really closed. If it clicks by closing the safe closure is guaranteed.

### PRINTING AND NUMBERING:

- Laser printing
- Sequenced numbering up to 15 digits
- Customization up to 20 characters on one line
- For special orders, logo printing in relief

### MATERIAL:

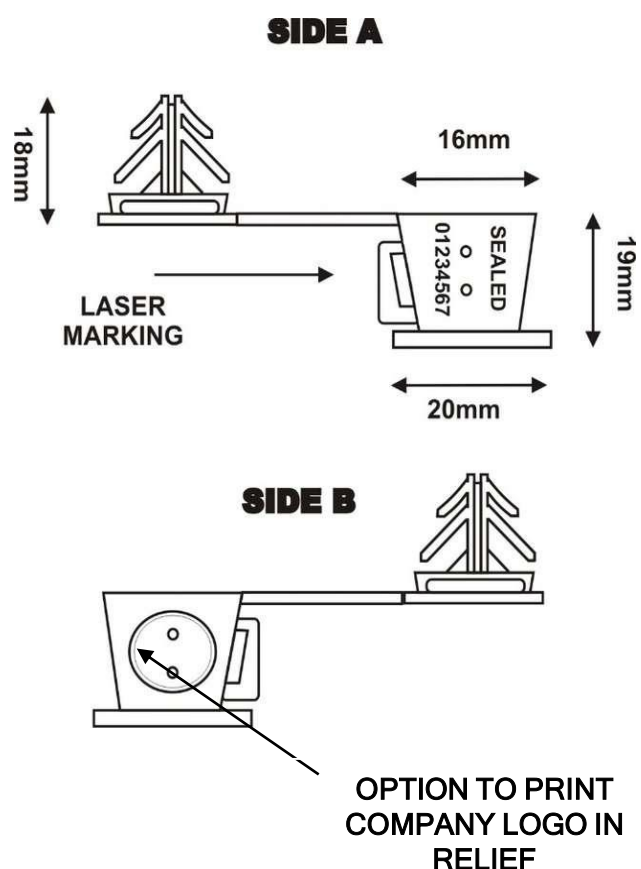
- Polycarbonate
- Polypropylene

### AVAILABLE COLOURS (TRANSPARENT)

Red - yellow - blue - orange - white - violet- green.

### PACKAGING:

- Carton with 5000 seals
- Carton size: 56x24x46 H cm
- Carton weight: 10 kg





# ANCHORFLAG

Wire security seal



## DESCRIPTION:

Anchorflag is a low-profile wire security seals made either in polycarbonate or polystyrene. It is suitable to be used with different sealing wire and doesn't require any crimping pliers to be correctly closed.

Thanks to the additional flag, logo and barcode are available as marking option.

## HOW TO USE:

Insert the wire in the holes on the seals' body. Push the "anchor" part in the hole.

Press with the fingers till the seal is really closed. If it clicks by closing the safe closure is guaranteed.

## PRINTING AND NUMBERING:

- Laser printing
- Sequenced numbering up to 15 digits
- Barcode option
- Customization up to 20 characters on one line
- Company logo available upon request
- For special orders, logo printing in relief

## MATERIAL:

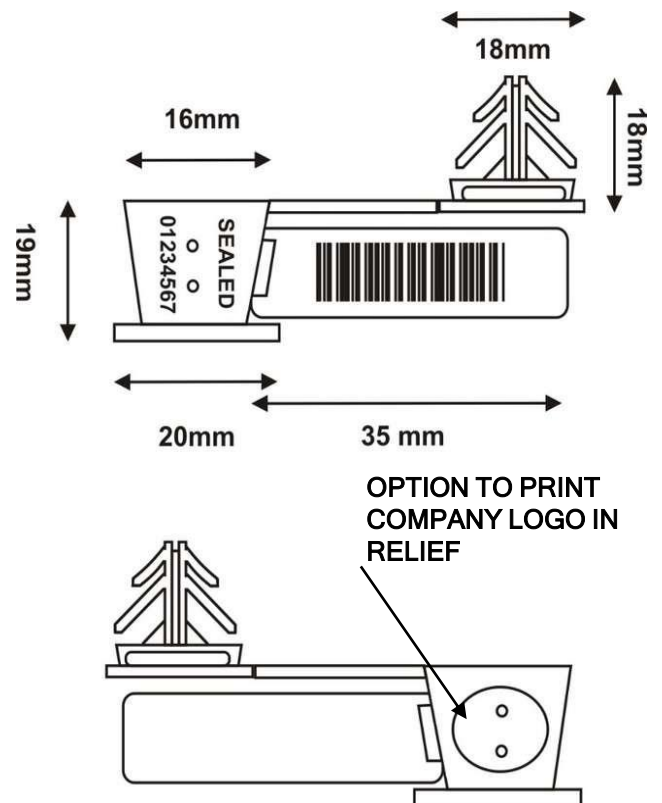
- Polycarbonate
- Polypropylene

## AVAILABLE COLOURS (TRANSPARENT and OPAQUE)

Red - yellow - blue - orange - white - violet - green

## PACKAGING:

- Carton with 5000 seals
- Carton size: 56x24x46 H cm
- Carton weight: 12 kg



# TWISTSEAL

## Wire security seal



### **DESCRIPTION:**

Twistseal is a cost-effective wire seal ideal for sealing small locking holes. Transparent body allows a prompt inspection of the seal's locking mechanism. To close, turn the handle of the seal 360°. Once closed, it is advisable to snap off the handle. It is impossible to tamper the seal once it is secured.

Twistseal is suitable to be used with the different types of sealing wires.

### **PRINTING AND NUMBERING:**

- Laser printing
- Sequenced numbering up to 15 digits
- Barcode and Qr code option
- Customization up to 20 characters on one line
- Company logo available upon request
- For special orders, logo printing in relief

### **MATERIAL:**

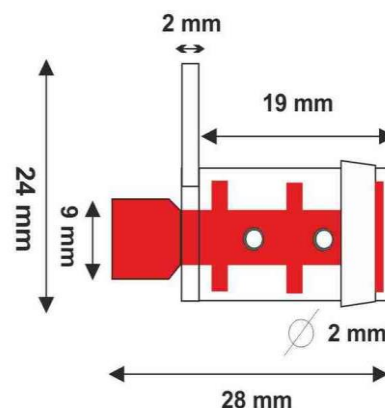
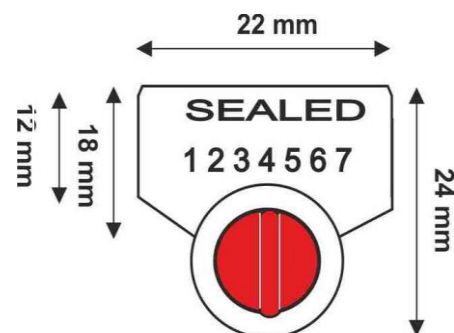
- Polycarbonate
- ABS

### **AVAILABLE COLOURS:**

Red - Yellow - Blue - Green - White - Black - Orange.

### **PACKAGING:**

- Carton with 1000 seals in bags of 100 pieces numbered in sequence
- Carton size: 40x40x15 cm
- Carton weight: 4 kg
- Carton with 5000 seals in bags of 100 pieces numbered in sequence
- Carton size: 60x40x35 cm
- Carton weight: 18 kg



# TRITONSEAL

Wire security seal



## DESCRIPTION:

TritonSeal is a wire security seal which doesn't require any crimping pliers to be correctly closed.

It is generally used with different types of sealing wires.

The two lateral sides can be customised with writings and progressive numbering either with hot printing or laser marking.

## SIZES:

- Width : 9 mm
- Length : 13 mm
- Height : 27 mm

## PRINTING AND NUMBERING:

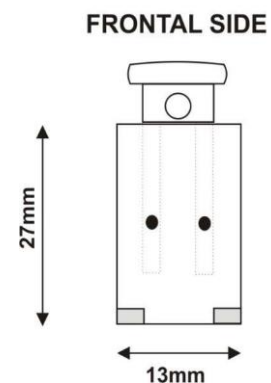
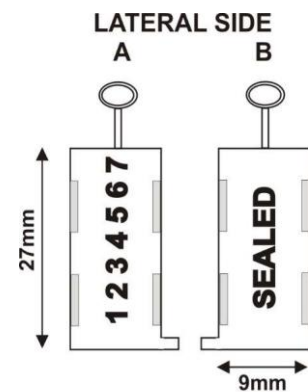
- Hot printing or laser printing
- Sequenced numbering up to 7 digits
- Customization up to 20 characters on one line

## AVAILABLE COLOURS:

Red - Yellow - Blue - Green - White - Orange - Black - Light blue.

## PACKAGING:

- Carton with 1000 seals packed in boxes with each 100 pieces
- Carton size: 40x22x15 cm
- Carton weight: 5 kg



# PLOMBEX

Plastic custom seals: 9mm and 13mm



## DESCRIPTION:

Plombex seals are plastic custom seals that come in two different diameter: 9mm and 13mm. They require seals press and sealing wire to be correctly applied.

## SIZES:

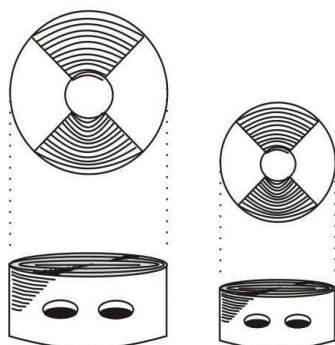
- Diameter : 9 mm
- Diameter : 13 mm

They are mainly used to seal fire extinguishers, drums, meters or first aid kit but they may have a decorative function in the food and cosmetic industry.

Plombex are available in different colors including silver and gold.

13 mm

9 mm



## CUSTOMIZATION:

Using suitable press.

## AVAILABLE COLOURS:

Red - Yellow - Blue - Green - White - Black - Orange  
- Light blue - Grey - Brown - Silver - Gold.

## PACKAGING:

**PLOMBEX 09** (diam: 9 mm )

- Carton of 10.000 pcs
- Carton size: 21x15x15 cm
- Carton weight: 3 kg

**PLOMBEX 013** (diam: 13 mm)

- Carton of 10.000 pcs
- Carton size: 35x24x22 cm
- Carton weight: 6 kg



# CRIMPSEAL

Completely aluminum self locking seal



## DESCRIPTION:

Crimpseal is a completely aluminium and self-locking seal. It can be used with different type of sealing wires, steel or nylon cables and twine.

## SIZES:

- Width : 5 mm
- Length : 37 mm (open)
- Length : 19 mm (lo)

## PRINTING AND NUMBERING:

- Metallic engraved
- Sequenced numbering up to 6 digits.
- Customization up to 10 characters on one line
- Company logo available upon request

## MATERIAL:

Aluminium  
Galvanized iron

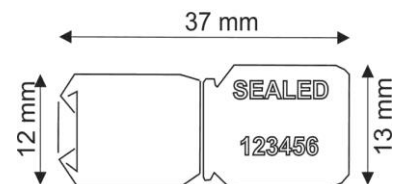
## AVAILABLE COLOURS

Aluminium - Red - Gold - Blue - Green

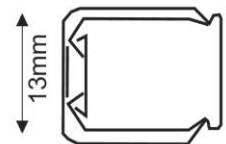
## PACKAGING:

- Carton with 5.000 pcs bulk
- Carton with 5.000 pcs. in bags of 1000 pcs.
- Carton with 10.000 pcs. bulk
- Carton with 10.000 pcs. in bags of 1000 pcs.
- Carton with 5.000 pcs. in strips of 20 pcs.
- Carton with 10.000 pcs. in strips of 20 pcs.

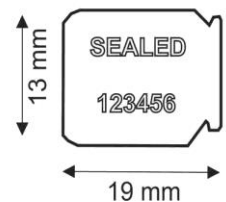
## OPEN



## LOCKED (side a)

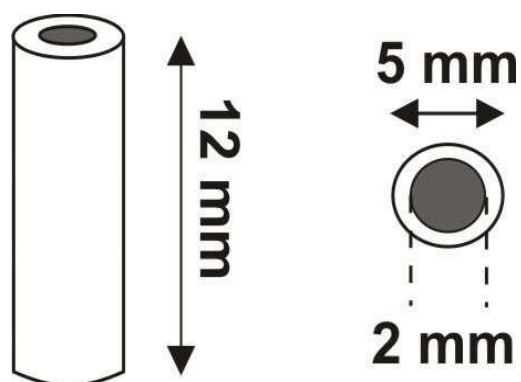


## LOCKED (side b)



# ALLUSEAL

Completely aluminum seal



## **DESCRIPTION:**

Alluseal is a completely aluminum security seal. It is suitable to be used with several sealing wires and requires appropriate pliers in order to be correctly applied.

## **SIZES:**

- Diam. Ext. : mm 5
- Diam. Inside hole : mm 2
- Length : mm 12



**CUSTOMISATION:**  
Using suitable press

## **MATERIAL:**

Seals 99,9 % pure aluminum

## **PACKAGING:**

- Carton with 15.000 pcs
- Carton size: 26x19x22 cm
- Carton weight: 7,4 kg



# CRALUSEAL

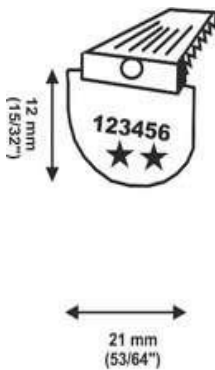
Completely aluminum seal



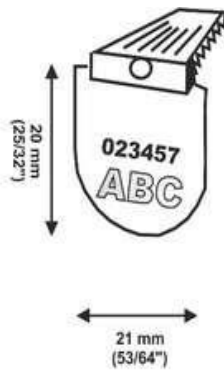
## DESCRIPTION:

Craluseal is an aluminum seal secure and extremely affordable. Once the seal's flag has been pressed around the wire with the appropriate pliers, it's impossible to reopen the seal again without breaking it.

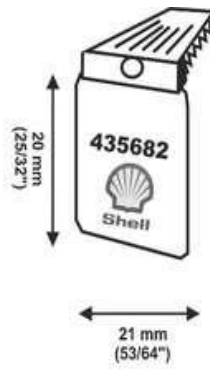
Craluseal is generally used for refineries, customs and meters and is suitable to be used with different sealing wires.



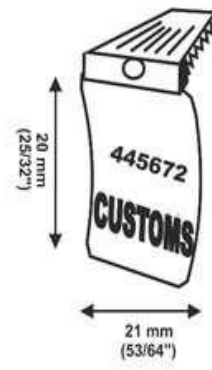
**Art 100**



**110**



**130**



**150**

## PRINTING AND NUMBERING:

- Sequenced numbering up to 6 digits
- Customization with up to 12 characters and authentic reproduction of company logo

## MATERIAL:

Plated Aluminum

## STANDARD AVAILABLE COLOURS:

- Natural aluminium
- Golden aluminium (galvanized)
- Green aluminium (galvanized)
- Blue aluminium (galvanized)

## PACKAGING TYPE 1:

- Carton box 1.000 per box in cartons of 10.000 pcs
- Carton size: 39x26x35 cm

## PACKAGING TYPE 2:

- Plastic bag of 1.000 pcs n cartons of 10.000 pcs
- Carton size: 28x32x56 cm
- Weight:
  - Model 100: kg 4,60
  - Model 110: kg 5,20
  - Model 130: kg 5,80
  - Model 150: kg 5,90

# CRALUPLIER

Appropriate pliers for Craluseal



## **DESCRIPTION:**

Craluplier is the appropriate pliers to correctly close Craluseals by rolling the tongue of the seal.

## **SIZES:**

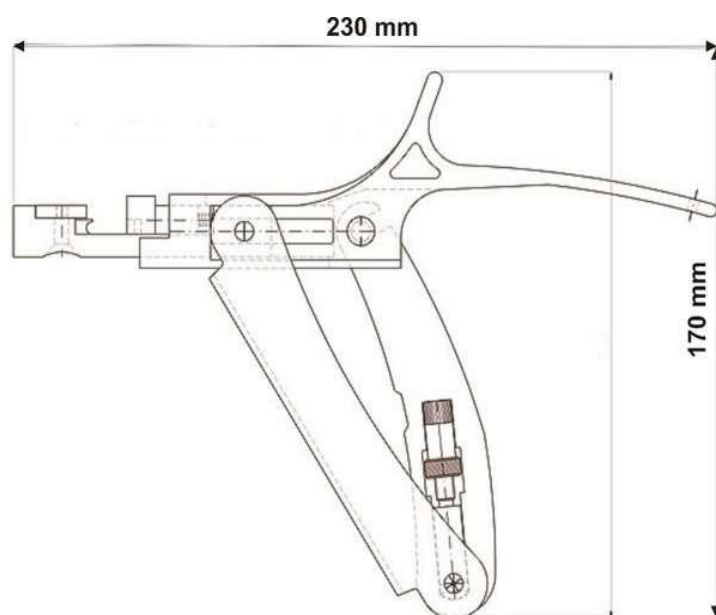
230x170mm

## **CUSTOMIZATION:**

- Customization can be made on the pair of pliers (up to 7 characters)
- Embossed logo or text : up to 6 characters

## **PACKAGING:**

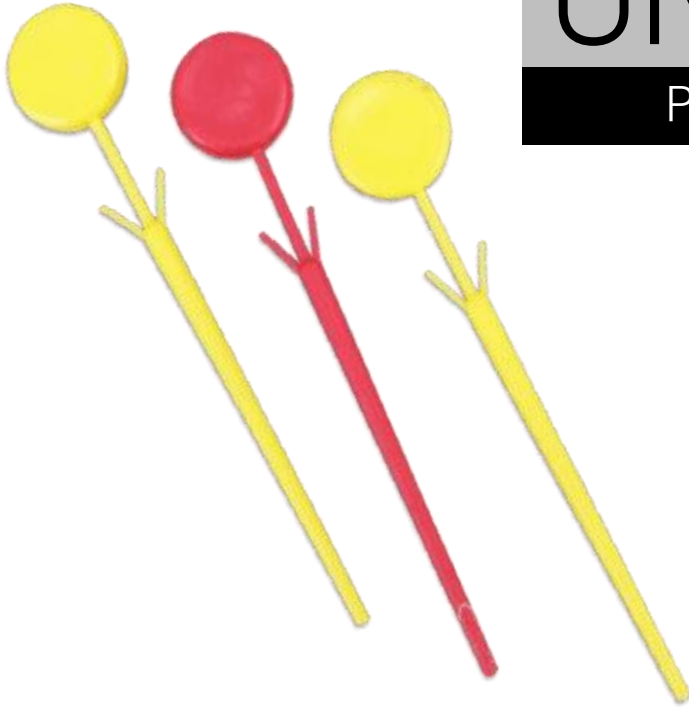
- Carton with 1 pcs
- Carton size: 28x11x4cm
- Carton weight: 0,7 kg





# URANUS SEAL

Plastic seal for fire extinguishers

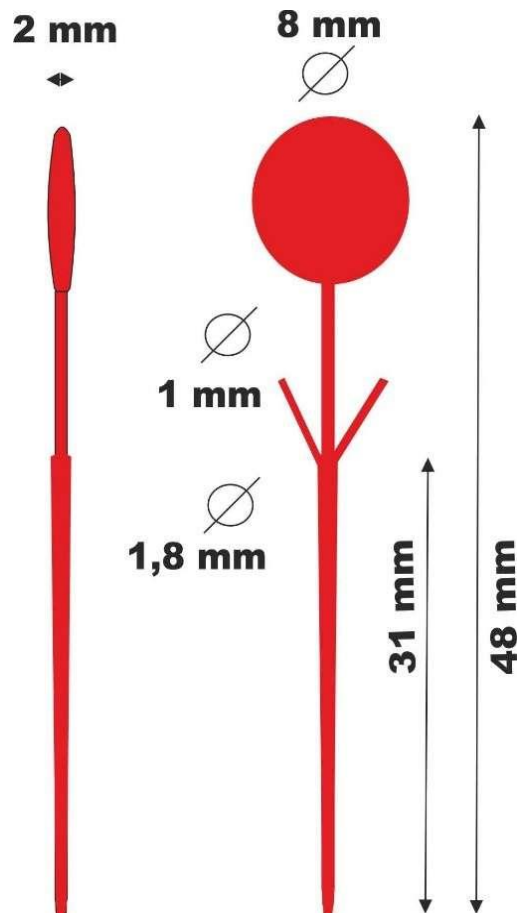


## **DESCRIPTION:**

Uranus seal is a plastic seal for fire extinguisher.

It is used as plastic pin to block the fire extinguisher security system.

Easily removable by pulling the seal head up. It is generally manufactured in yellow and red colour but additional ones are available upon request.



## **AVAILABLE COLOURS:**

Red - Yellow - Blue - Green - White - Orange

## **PACKAGING:**

- Card-board box with 10.000 pieces
- Carton size : 37x24x13 cm
- Carton weight: 2 kg

# DRUMLOCK

Plastic seal for drums



## DESCRIPTION:

Drumlock series includes three different types of seal, specifically designed to lock the tie-type closure of drums.

Different sizes are available to meet any need of various drum locking systems.

Once that Drumlock has been properly put in place, the only way to open the drum is by breaking the seal, thus providing evidence of tamper.

## PRINTING AND NUMBERING:

- No numbering
- Embossed logo upon request (for volume quantities)

## MATERIAL:

Polypropylene

## SIMILAR PRODUCTS:

- Small T.B. DRUMLOCK
- Standard T.B. DRUMLOCK
- T.C. DRUMLOCK
- DRUMSEAL (numbered)

## AVAILABLE COLOURS:

Red - Yellow - Blue - Green - White - Black

## PACKAGING:

### T.B. STANDARD:

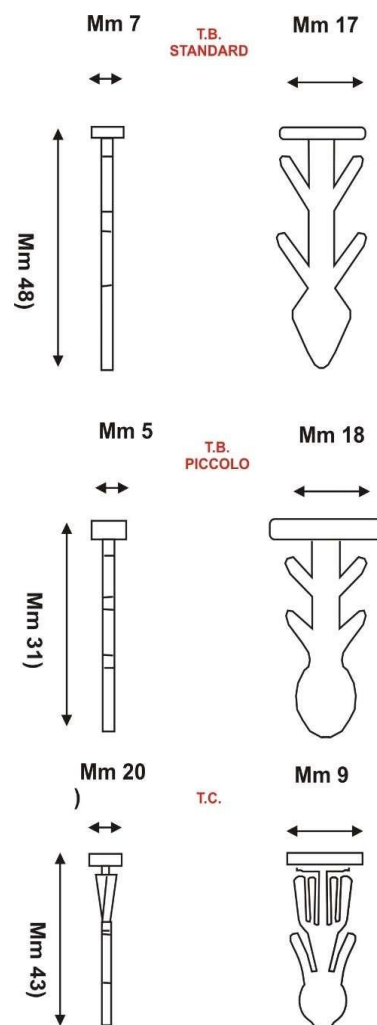
- Carton with 10.000 pcs
- Carton size: 60x40x40 cm
- Carton weight: 10 kg

### T.B. SMALL:

- Carton with 20.000 pcs
- Carton size: 60x40x20 cm
- Carton weight: 8 kg

### T.C.:

- Carton with 10.000 pcs
- Carton size: 60x40x40 cm
- Carton weight: 10 kg



# TOTEBOX SEAL

Plastic seal for tote box

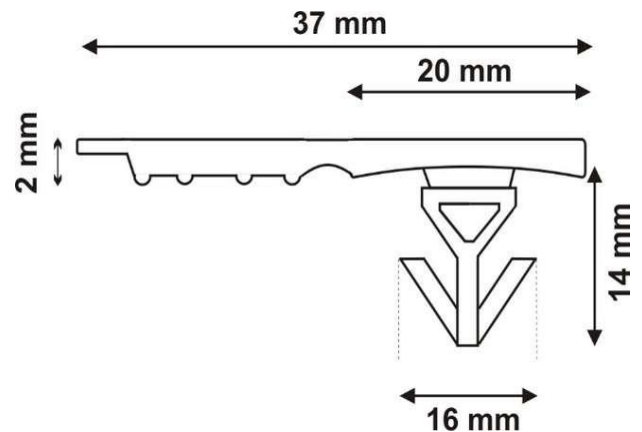


**DESCRIPTION:**

Totebox seal is a designed locking mechanism for specific models of tote boxes. Easy application and no tools are need for removal.

**CUSTOMIZATION:**

For special orders, logo printing in relief.



**MATERIAL:**

Polypropylene

**AVAILABLE COLOURS:**

Red - Yellow - Blue - Green - White - Orange Light blue.

**PACKAGING:**

- Carton with 1.000seals
- Carton size: 15x15x21 cm
- Carton weight: 1,2 kg

# POSTALBLOCK

Plastic seal for tote box



**DESCRIPTION:**

Postalblock is a plastic closure that can be used several times. A light pressure with the fingers is enough to let the mechanism “click” in.

**MATERIAL:**

Polypropylene

**RESISTANCE TEST :**

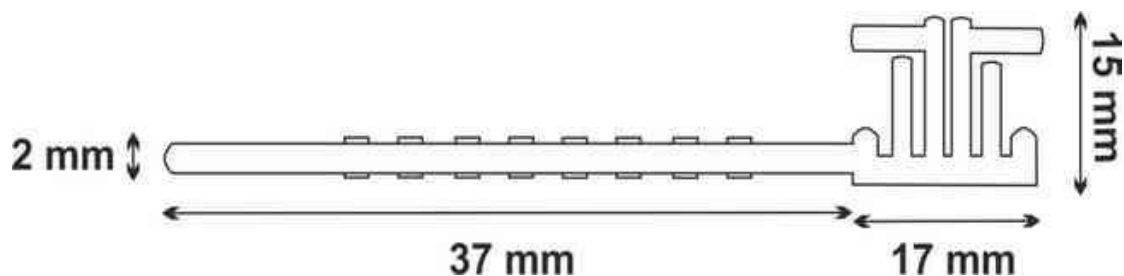
Carried out from - 30° to + 60°

**CUSTOMIZATION:**

For special orders, logo printing in relief.

**AVAILABLE COLOURS:**

Red - Yellow - Blue - Green - White - Black - Orange - Light blue



# ZIPSTOP SEAL

Standard and long barcoded



## DESCRIPTION:

Zipstop standard and Zipstop long seals are plastic seals used to secure the special locking mechanism of security bags. The seals do perfectly fit to LeghornGroup zip holder on security bags.

The standard version may just be marked with writings and progressive numbering while the long one may also include the barcode.

## MATERIAL:

Polypropylene

## PRINTING AND NUMBERING:

- Laser printing
- Sequenced numbering up to 15 digits
- Barcode option (only on LONG version)
- Customization up to 20 characters on one line
- Company logo available upon request

## AVAILABLE COLOURS:

Red - Yellow - Blue - Green - White - Black - Orange - Light blue - Grey - Brown - Pink.

## PACKAGING:

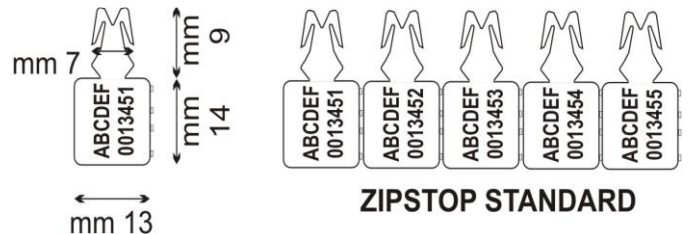
### ZIPSTOP STANDARD :

- Carton with 5.000 seals - strip of 40 pcs
- Carton size: 28x21x10 cm
- Carton weight: 2,5 kg

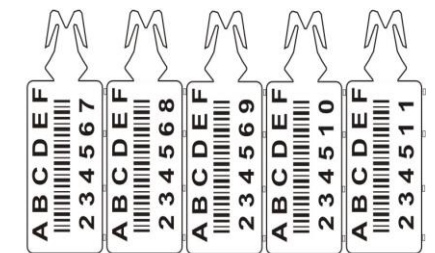
## PACKAGING:

### ZIPSTOP LONG - BARCODE:

- Carton with 2.500 seals - strip of 40 pcs
- Carton size: 28x21x10 cm
- Carton weight: 3 kg



ZIPSTOP STANDARD



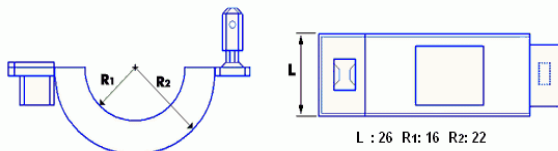
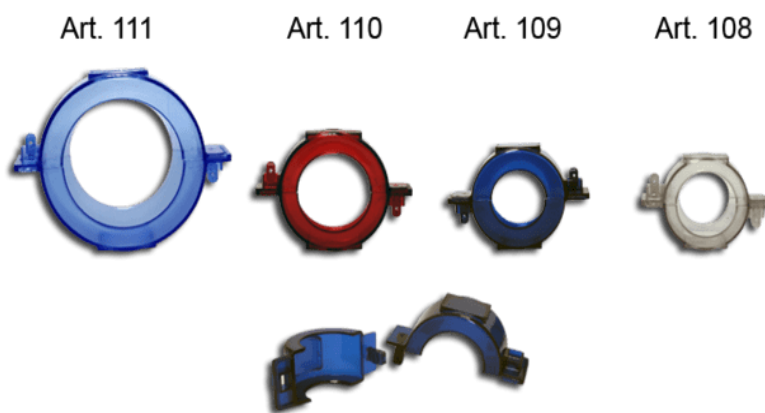
ZIPSTOP LONG FOR BARCODE

# CONNECTIONLOCK

## Seals for meters

### DESCRIPTION:

Connectionlock is a simple and effective system to protect the pipe- fittings of meters. Transparent body allows a prompt inspection. It is made of two parts fitting permanently one into the other and once positioned on the pipe-fitting, it is possible to seal it with a progressive numbered wire seal, e.g. Twistseal.



### MATERIAL:

Polycarbonate (PC)

### SEQUENTIAL NUMBERING AND CUSTOMISATION:

- Laser printing
- Sequenced numbering up to 6 digits.(Not necessary)
- Customization up to 20 characters on one line
- Company logo available upon request
- For special orders, logo printing in relief

### AVAILABLE COLOURS:

Transparent Red - Transparent Yellow - Transparent Blue  
 - Transparent Green - Transpert White  
 On demand: Opaque Red - Opaque Yellow - Opaque  
 Blue - Opaque Green - Opaque White

### SIZES:

**ART 311** : L:26mm R1: 16mm R2: 22mm  
 Fit to DN20 (3/4") meters

**ART 312** : L:30mm R1: 16mm R2: 24,5mm  
 Fit to DN20 (3/4") bold fittings

**ART 313** : L:28mm R1: 19mm R2: 27mm  
 Fit to DN25 (1") meters

**ART 314** : L:38mm R1: 29mm R2: 39mm  
 Fit to DN40 (1½") meters

### PACKAGING:

#### Art: 311

- Carton with 500 seals
- Carton size: 40x60x35 cm
- Carton weight: 13 kg

#### Art: 312

- Carton with 500 seals
- Carton size: 40x60x38 cm
- Carton weight: 13 kg

#### Art: 313

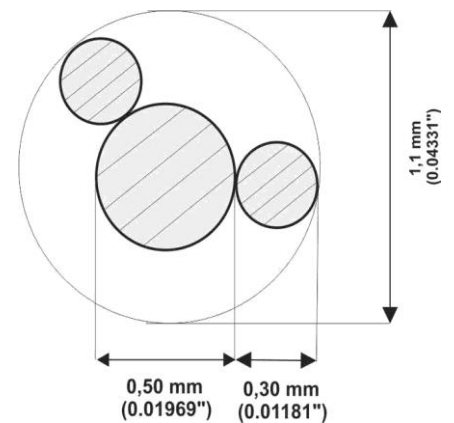
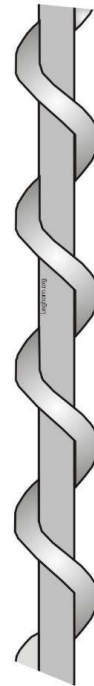
- Carton with 500 seals
- Carton size: 40x60x35 cm
- Carton weight: 14 kg

#### Art: 314

- Carton with 250 seals
- Carton size: 40x60x35 cm
- Carton weight: 9 kg

# SEALING WIRE

1mm diameter galvanized steel sealing wire



## MATERIAL CLASSIFICATION:

Galvanized annealed steel

## COMPOSITION:

Core wire:  $\varnothing$  mm 0.50 - Spiral wire:  $\varnothing$  mm 0.30

## STANDARD SPOOL:

1 Kg = 400 m appx  
0.5 Kg = 200 m appx

## STRUCTURAL CHARACTERISTICS:

COIL DISTANCE:  
2.00 mm (50 coils per 100 mm)

## SURFACE CHARACTERISTICS:

SURFACE STATE: ZINC COATING .  
Minimum zinc coating 20gr/m<sup>2</sup>

## CHEMICAL BREAKDOWN:

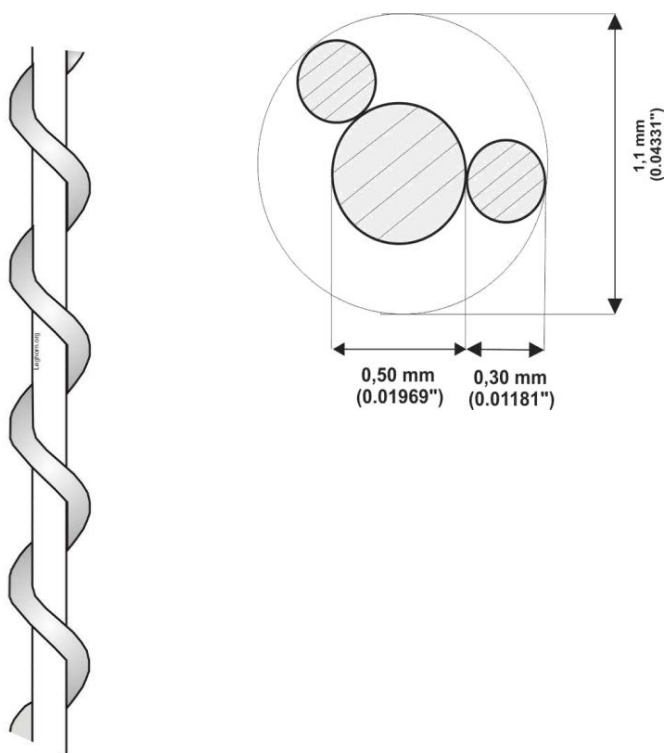
C%	Mn%	P%	S%
0,08	0,45	0,035	0,035

## MECHANICAL CHARACTERISTICS:

TOTAL DIAMETER mm	TOLERANCE $\varnothing$	BREAKING LOAD N/mm <sup>2</sup>
1	10%	300/450

# SEALING WIRE

1mm diameter stainless steel sealing wire



## MATERIAL CLASSIFICATION:

Annealed steel AISI 304

## COMPOSITION:

Core wire:

Ø mm 0.50 - Spiral wire: Ø mm 0.30

## STANDARD SPOOL:

1 Kg = 400 m appx

0.5 Kg = 200 m appx

## STRUCTURAL CHARACTERISTICS:

COIL DISTANCE: 2.00 mm (50 coils per 100 mm)

## SURFACE CHARACTERISTICS:

SURFACE STATE: GLOSSY

## CHEMICAL BREAKDOWN:

C%	Mn %	Si%	Ni%	Cr%	P%	S%
<= 0.08	<= 2.00	<= 1.00	8.00 - 10.50	18.00 - 20.00	<= 0.045	<= 0.030

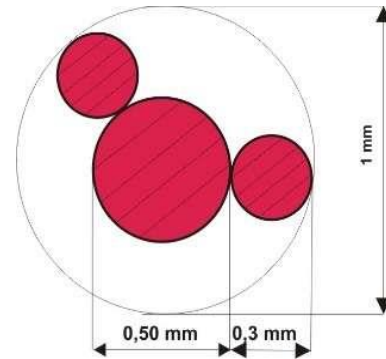
## MECHANICAL CHARACTERISTICS

TOTAL DIAMETER mm	TOLERANCE Ø	BREAKING LOAD N/mm <sup>2</sup>
1.00	10%	700/750



# SEALING WIRE

1mm diameter copper sealing wire



## MATERIAL CLASSIFICATION:

Red copper annealed  
ASTM B 49,92 - UNI EN 1977 - 2000

## COMPOSITION:

Core wire:  
Ø mm 0.50 - Spiral wire: Ø mm 0.30

## STANDARD SPOOL:

1 Kg = 360 m appx  
0.5 Kg = 180 m appx

## STRUCTURAL CHARACTERISTICS:

COIL DISTANCE: 2.00 mm (50 coils per 100 mm)

## SURFACE CHARACTERISTICS:

SURFACE STATE: GLOSSY

ELONGATION: 23-23%

## MECHANICAL CHARACTERISTICS

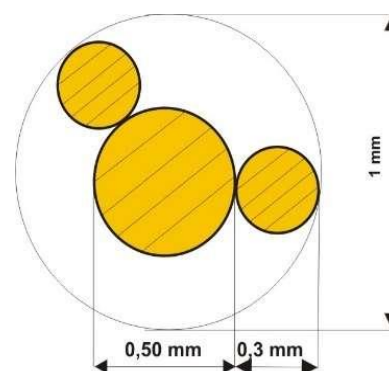
TOTAL DIAMETER mm	TOLERANCE Ø	BREAKING LOAD N/mm <sup>2</sup>
1.00	10%	210/220

## CHEMICAL BREAKDOWN

Cu%	Fe%	Pb%	As%	Ag%	Ni%	Sn%	S%
99,974	0,0035	0,0013	0,0011	0,0011	0,0008	0,0009	0,004

# SEALING WIRE

1mm diameter brass sealing wire



## MATERIAL CLASSIFICATION:

Brass annealed

## COMPOSITION:

Core wire:  $\varnothing$  mm 0.50 -

Spiral wire:  $\varnothing$  mm 0.30

## STANDARD SPOOL:

1 Kg = 380 m appx

0.5 Kg = 190 m appx

## STRUCTURAL CHARACTERISTICS:

COIL DISTANCE: 2.00 mm (50 coils per 100 mm)

## SURFACE CHARACTERISTICS:

SURFACE STATE: GLOSSY

## MECHANICAL CHARACTERISTICS

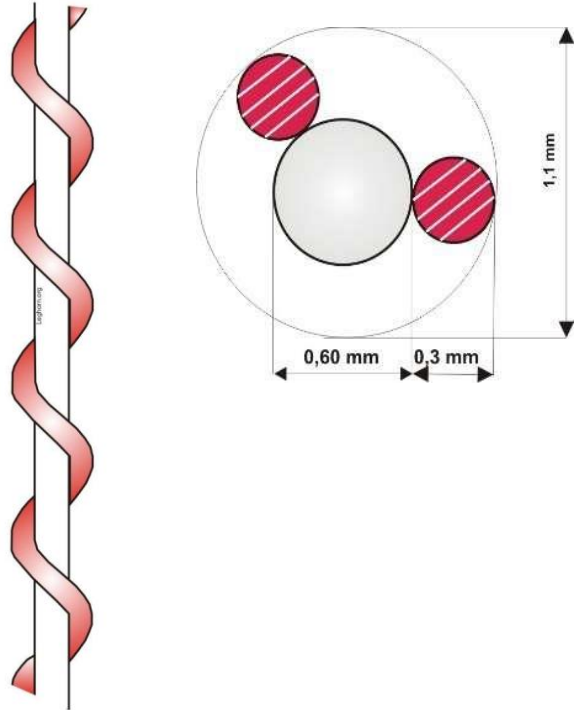
TOTAL DIAMETER mm	TOLERANCE $\varnothing$	BREAKING LOAD N/mm <sup>2</sup>
1.00	10%	400/430

## CHEMICAL BREAKDOWN

Cu%	Zn%	Pb%	Fe%	Al%	Ni%	Sn%	S%
67,000	32,000	0,010	0,0014	0,010	0,049	0,016	0,05

# SEALING WIRE

1mm diameter nylon-copper sealing wire



## MATERIAL CLASSIFICATION:

Nylon - Copper

## COMPOSITION:

Core nylon : Ø 0.6 mm - 100%

Poliammide

Spiral: red ANNEALED copper : Ø 0.3 mm . in conformity of ASTM 49,92 - UNI EN 1977 - 2000

## STANDARD SPOOL:

300 g = 180 m appx

## STRUCTURAL CHARACTERISTICS:

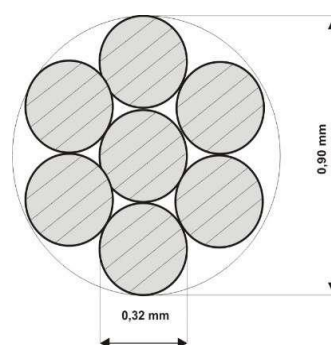
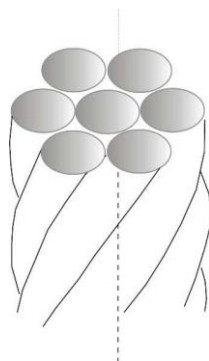
COIL DISTANCE: 1,50 mm (66 coils per 100 mm)

## MECHANICAL CHARACTERISTICS

TOTAL DIAMETER mm	TOLERANCE Ø	BREAKING LOAD N/mm <sup>2</sup>
1.00	10%	159/178

# SEALING WIRE

Plastic coated stainless steel sealing wire



## DESCRIPTION:

- Seven stainless steel wire diam: 0,32 mm + PVC transparent plastic covered.
- Total diam 0,90 mm
- Stainless steel cable approximate weights and lengths
- 100m reel is equal to 406g
- 250m reel is equal to 675g

## 1 MM DIAMETER STAINLESS STEEL SEALING WIRE TECHNICAL DATA

GRADE	N.W. (kg)	TS (Mpa)	EL %
304	483,88	785	75

## 1 MM DIAMETER STAINLESS STEEL SEALING WIRE CHEMICAL COMPOSITION (%)

C	Si	Mn	P	S	Cr	Ni
0,03	0,43	1,30	0,026	0,008	18,23	8,03

**FINDUS@**



**LeghornGroup – Italy**  
[www.leghorngroup.it](http://www.leghorngroup.it)

**LeghornGroup – U.S.A.**  
[www.leghorngroup.com](http://www.leghorngroup.com)

**LeghornGroup – Belgium**  
[www.leghorngroup.be](http://www.leghorngroup.be)  
[www.leghorngroup.nl](http://www.leghorngroup.nl)

**LeghornGroup – India**  
[www.leghorngroup.in](http://www.leghorngroup.in)

**LeghornGroup – Czech Republic**  
[www.leghorngroup.cz](http://www.leghorngroup.cz)  
[www.leghorngroup.pl](http://www.leghorngroup.pl)

**LeghornGroup – Greece**  
[www.leghorngroup.gr](http://www.leghorngroup.gr)

**LeghornGroup – Republic of Moldova**  
[www.leghorngroup.ro](http://www.leghorngroup.ro)

**LeghornGroup – Spain**  
[www.leghorngroup.es](http://www.leghorngroup.es)



**PROTECTION - CONTROL - IDENTIFICATION - TRACKING - RFID SOLUTIONS**